

STORIES FROM HEAVEN



VOLUME 7
BOOK TWO OF FOUR

NOV 14, 1981 - FEB 4, 1983

STORIES FROM HEAVEN®

Copyright © 1996 FRANCES MARIE KLUG

All rights reserved.

**This volume may not be reproduced in whole
or in part in any form without written
permission from the publishers.**

**This was done to protect the exact
content of all the Teachings and
Revelations due to the importance of Them.**

First printing 1994

**Volume VII, Book Two of Four
ISBN 1-892957-07-8**

Printed in the United States of America

**Published By:
The City Of God
Saint Joseph's Hill Of Hope
Post Office Box 1055
Brea, California 92822**

www.TheMiracleOfStJoseph.Org

PREFACE

These “*Stories From Heaven*” could not have been given to the world at a more appropriate time than now. The world is in a terrible state of corruption and confusion politically, religiously and socially. Honesty, modesty, genteelness and morality seem to have been eliminated from our way of life, at least in effect if not consciously. However, God has given the world a Miracle it needs.

On July 28, 1967, *The Miracle Of Saint Joseph* was formally announced to a True Mystic. God had chosen a woman to give us the sound direction, hope and example we need. It was not the first time God had chosen a woman to accomplish His Purpose, always for a specific task in a particular time. This True Mystic for our day is Frances Marie Klug. She resided in Southern California as a wife, a mother, and a grandmother until her death on November 15, 2009.

In This *Miracle Of Saint Joseph*, Many Saints have come forth to speak through Frances Klug. These “*Stories From Heaven*” are just a few of the thousands of Revelations received through her. Very often these

Revelations were preceded by extensive Teachings which time and space did not allow us to put in print. However, some of these Teachings will be found in several of the many Volumes of "*Stories From Heaven*".

In these Revelations The Saints refer to Frances as "the child", "the funnel", "the spoon", "the instrument" and "the little one". God made her our Spiritual Mother. For many years now, because of this fact, she has been called "Mother Frances", or simply "Mother". Heaven also refers to people of all ages as "children" and emphasizes time and again, This Miracle is for people of all races, all colors and all creeds.

For someone turning the pages of these "*Stories From Heaven*" for the first time, they will easily recognize the sound logic and sound direction the Messages contain. Mother Frances heard the Words with the Ears of her Soul, and would repeat Them aloud when she was told to do so.

This Teaching Miracle is a direct parallel to the time Our Lord walked the earth. He did not loudly proclaim to everyone, "I am The Son of God." He taught in a quiet manner, simple, extensive, but always detailed

in repetitiveness, instilling in those listening what He wanted them to remember. He taught in parables, short, simple stories containing moral lessons. He knew men could more easily understand and remember the point He was trying to make this way. His “Teaching Stories” pertained to everyday living, practical matters, and how to become a Saint. He gave hope through these stories. He gave example.

Now in our time, God is once again giving us “Teaching Stories” through Saint Joseph and His instrument, Mother Frances. Through her, in a quiet, unassuming and genteel way which appears so “natural”, mankind is again being taught the Purpose of life, and what God expects man to be like in his daily living. People feel hope in these Teachings, Example always given.

Two major Revelations of significance have been given for us in our day. Our Heavenly Mother is Part of The Divine, and Saint Joseph is truly The Holy Ghost. These should not bring an immediate rejection, but should pique our curiosity and interest.

Our Faith in God is based upon many mysteries. Whether it be The Holy

Trinity, the Incarnation of God, or The Holy Eucharist, men strive to understand These, trying to grasp a small glimpse of the Beauty of the Truth They Are. These mysteries also pique our imagination and interest. However, even though we know God revealed these mysteries to mankind and we accept them in Faith, they still remain just that, mysteries.

One has only to look at these “*Stories From Heaven*” to see the value They are, and to feel the hope They instill. No man can logically deny purity of thought when it is so obvious. No man can deny purity in direction, when it is based on sound morals, sound values, sound standards. Do not be blind to truth. Skepticism is for people who are unable to see the truth of a matter or situation, and many times skepticism drowns out purity because it is full of ego and pride in one’s self. Skeptics find it an easy out to disclaim truth.

There is no doubt that it takes time for such Phenomena as This Miracle to penetrate even those minds who feel they are capable of discerning such Phenomena. We must not be governed by purely another man’s determination, but we must understand that logic, sound reasoning and purpose must be the criteria of our Faith in God.

PLEASE READ

In some early volumes of "Stories From Heaven", many Revelations describe edifices to be built on Saint Joseph's Hill Of Hope. As just one facet of The Miracle Of Saint Joseph, God invited men of all races, colors and creeds to participate in building a "City Of God". Every building, chapel, bridge, shrine, garden, amphitheater, and even a hospital and a research center, to be included in this Magnificent Project, would be designed down to the most minute detail by Heaven.

This City Of God would be a place of great beauty for men throughout the world to visit, to gain true spiritual strength and to learn firsthand that which Heaven wants all men to know.

Much to the great loss of every man, woman and child in the world, this City has not been built. Innumerable obstacles were placed in the way of Its completion by those who would have benefited the most. Not enough men volunteered to return the gifts of their time and talents to God. Not enough people came forward with the money needed to participate in God's Plan in a monetary way. Donations became less and less, because the men in the Church said, "Don't give." They discouraged people from participating.

For many years, Mother Frances and a handful of volunteers made every effort to overcome all opposition to men's lack of wisdom, to build this City for God. However, we are not at a total loss. The Sound Teaching and Sound Direction given by Heaven in the many volumes of "Stories From Heaven" continued through the years, and will benefit people everywhere for many generations to come.

In the future, if the hearts and minds of men change, the world will one day see the Beautiful City Of God.

Along with the Formal Revelations there is much Instructive Teaching delivered in the same manner as the Formal Revelations.

Heaven deliberately many times separates this form and format so that it is seen and understood as a distinctly structured form of Teaching.

The Teachings approach the subject matter in an instructive manner, to enable the reader to the sound practice necessary to exercise moral standards and obligations in a more practical day-to-day practice of personal application.

The Formal Teachings that follow are but a few that were delivered to emphasize particular situations, conditions regarding The Society Of The Little Way and/or The Society Of Saint John Vianney.

Also, these were delivered at a Meeting and/or a Retreat.

Stories From Heaven

All Revelations are delivered spontaneously and continuously as witnessed by all those present at the time.

Stories From Heaven

NOVEMBER 14, 1981

**“KNOW THE FULL MEANING OF WORDS
THAT MIGHT INVOLVE YOUR SENSES”**

“Common words such as lust, pornography, homosexuality, lesbianism, prostitution, orgy, are seldom seen beyond the first reaction to what the word might mean at that time. Each of these words is connected with degrading man’s human body and Spiritual Soul.

Lust is not an act of love. It is an act stimulated by a lack of sound moral approach to intimacy with another human being. In no way is this what God intended for men and women to respond to. It always carries a desire for impurity, indecency, and can be connected with cruelty in many ways.

Pornography is a totally immoral stimulus for anyone because it is usually based on degrading actions, immoral literature or intentions, and is diabolical in origin. When people depend upon pornography, they become sick, unstable in their attitude and their actions, debasing to

any relationship they have with other people.

Prostitution is oftentimes looked upon as one of the oldest natural weaknesses of man, and in this gesture of acceptance, it is not really seen for its degradation and its immoral offenses against individuals and the whole of society. Prostitution is misuse of the human body no matter what credibility man tags it with. It is wrong, it is sinful, it is immoral, it is against God.

If one must depend upon orgy to feel stimulated where the senses are concerned, then one must look at this as unnatural, not moral, and in this sense see it as being totally wrong. Orgy in our day comes under the guise of many things: Singles parties that promote promiscuous behavior. Living together out of wedlock, escaping the responsibility of the marriage state can many times be called 'orgy'. It covers many sinful occupations and even preoccupations of many people. It was one of the greatest sins at Sodom and Gomorrah.

Homosexuality and lesbianism are totally against God's Reason

for intimate relations between two people. It is an act of perversion that is unhealthy for the mind, body and the Soul. It is never acceptable. Homosexuality and lesbianism can be termed ‘sins of lust’.

Presently we live in a time worse than Sodom and Gomorrah. This does not mean that this is the only time that we have had an extreme amount of offenses against God, but it does mean that we are in a time that offenses against God are being accepted by more people and it must stop.”

NOVEMBER 14, 1981

**“HUMAN LIFE WAS DESIGNED
WITH GREAT DIGNITY
FOR AN ULTIMATE PURPOSE”**

“When we talk about the human body, it is a personal concern for each of us; it is innate in us to want a healthy body. We are constantly concerned that our body is functioning properly.

It is necessary to understand many things about our human body, because in this knowledge we can use precautions to avoid problems and we can use technical knowledge to help repair many problems. The human body has much responsibility because it is the *tabernacle for our Soul*.

There is a great peace of mind in being intelligently, morally sound and informed about our natural human feelings and emotions, where our living intimately with a husband or wife is a *union of love and purpose* in the way God created it to be.

We are not born with Holiness. Holiness is the result of a life dedicated and committed to the Will of God.

It is important that we understand how to become a Saint while living a very normal life involved with many kinds of people, committed to a vocation or vocations that surround us with temptations, a varied degree of personalities and natures of other people, plus the immorality of power-hungry, money-hungry individuals, through their advocating and disposition of lewd material in all forms of photography, writings and entertainment.

In daily living we are surrounded with a tremendous conglomeration of weaknesses evidenced through many people's submission to all sorts of lust, pornography, prostitution, and the display of articles that attracts attention to the senses, promoting indecency.

In establishing a course for one's self for Holiness, the first step, of course, is to see ourself as God sees us. The second step is to dedicate and commit ourselves to act, to live, and to be example in all ways pleasing to God. Third, to never allow any influence to distract us or to interfere with what we know is God's Will for our Soul.

It is a lot easier to do than men think. To be staunch and strong in one's self-control, self-discipline, accepting only sound moral values and sound moral standards as our way of life, always using an ethical code of moral values and moral standards, soon it would be acceptable to and by everyone we come in contact with, especially if there were no deviations in our behavior to tear down such ethical thinking and example. It is an individual's responsibility and is important for everyone.

Holiness is like constructing a very tall building. It must have a firm foundation on stable ground, with a design that is practical, logical, sensible, workable, purposeful.

In stabilizing one's dedication and commitment to becoming a Saint, the best Foundation in the world is the Ten Commandments, then looking into each Commandment for the fullness that each one was given, plus the determination to not allow anyone to encourage you to offend God in any way. It is the individual's *will* that makes this determination. The next step is to never fall into the trap of self-righteousness, scruples, or any

irrational justification for misconduct of any kind. Practicing good example at all times, pure acts of charity at all times, sincere piety at all times, is the next step to Holiness. Of course, it takes effort, it takes time, it takes in-depth practice, but it can become a habit in performance, and in being a habit, it will become a way of life and will automatically show itself when it becomes spontaneous example.

It is sad when people think that it is impossible to become a Saint living a *normal fulfilling life*. It is the way God intended us to live, and through it, become a Saint.

The Example of womanhood, manhood, childhood, was portrayed by The Holy Family, and this portrayal, because it was so obviously good, remained for two thousand years. There were many reasons for The Holy Family's time upon the earth. The first, of course, was for the establishment and institution of Holy Mother Church. The second was to show mankind the Love God has for the family unit that He Himself portrayed through The Holy Family. Here again the word 'Holy' distinguishes This Family from all other families because the word

‘Family’ is prefixed by ‘Holy’. It also places This Family in a very particular place reflecting Purity and Example.

The Beauty of God’s Portrayal shows man the dignity of the married state and that through this state of life, man is in union with God in the procreation of more life. It is important that people see marriage as it was meant to be: a state of life in God’s Plan, cooperating with His Will for the sole purpose of procreation which ultimately is to give God Saints to be with Him in His Kingdom.”

NOVEMBER 14, 1981

“GOD IS HOLY AND MUST BE ADDRESSED WITH RESPECT, HONOR AND DIGNITY”

“Some time back, men decided to refer to The Holy Ghost in a more casual way, replacing the word ‘Ghost’ with ‘Spirit’. The next step was many times eliminating the prefix word ‘Holy’. They refer to The Spirit of God in a manner and way that they would refer to the spirit of anything or anyone.

It has become so general that in many ways it is *dangerous*. The Holy Spirit of God is The Holy Spirit that all evil spirits hate and yet try to imitate, because satan knows the Power, the Purity, the Greatness of The Holy Spirit of God. He has worked countless years to encourage man to diminish this Very Important Part of God, and knowing man’s weakness to have shortcuts, to be casual, to assume, to presume, where he is too lazy to take the time to participate enough to look into the pros and cons of many things, and where he knows men are lazy, he uses these times, this lack of dignity in man, the weakness, to

eliminate respect, and he weaves into an area the chance for misconception, misconstruing, misinterpretation, leaving the door open for himself to enter.

Many times men fall into a trap, walk into the briar patches because they are too lazy, they are indifferent, they are too trusting, they are careless, or they do not want to be bothered with details of protocol that take time, energy, thought, perseverance and responsibility.

Never allow yourself to be caught up in what men are shouting, 'the spirit'. You are asking for trouble because this is inviting the evil spirit. His spirit is not always prefixed by evil so he immediately answers to 'the spirit'. Protect yourself in every way possible, and always say, 'The Holy Spirit'."

NOVEMBER 16, 1981

“POLITENESS”

“A salute of respect is called for and is necessary many times. It is sad to watch people lack this social courtesy when it takes very little effort to respond to the presence of another human being. Call it what it is: ignorance, a lack of charity, a lack of human respect.

Another point to be mentioned is when people see someone about to walk by, they expect the person to walk around them, and they stubbornly do not exercise common sense and move out of the way. Here again, in this ignorance, it shows people refusing to see the dignity of human life, and the necessity for respect at all times where other human beings are concerned.

It does not show superiority when one is disrespectful, it shows a lack of dignity and poor manners, but also immediately tags the person as being unsure of themselves. There is a protocol to such manners, and this is how it should go: The younger person or the one in a lesser position should

be the one to step aside. There is no lack of dignity in this; in fact, it shows a tremendous ability to recognize authority and it undoubtedly gains more attention than impudence or a lack of respect would have gained.

A salute of 'Good morning,' 'Good afternoon,' 'Good evening,' is always recognized for exactly what it is, a mannerly relationship that recognizes the time of day, the acquaintance or friendship, and/or the care about another human being.

When we awaken in the morning, it should be innate in us to say, '*Good morning, God.*' At night before we lay our head, or immediately thereafter, we should make it a practice to say, '*Good night, God.*' Any additional words such as '*I love You,*' would most certainly add to the little social amenity that is so comforting to hear.

A social amenity gives a genteelness to life and association with another person or persons. It also sometimes gives a lift to a person who may otherwise have been burdened with so many problems that a kind word gave hope, Light, and changed

the mood to a feeling that things will be brighter.”

NOVEMBER 16, 1981

“?’S GOOD FOR THE SOUL”

- “What makes you laugh?**
What makes you see red?
What makes you passive?
What makes you have anger?
**What makes you relentless in
your drive to accomplish?**
What goals do you have?
**How do you feel about other
people?**
How do you feel about God?
**Do you feel your intelligence
supersedes the conditions
that you are faced with, the
situations you are exposed
to?**
Do you find praying difficult?
**Do you find your thinking
superior?**

Do you encourage others to avoid you?

Do you react to your responsibilities?

What standards do you set for yourself in cooperating with your family?

Do you ignore the authority of others in your home?

Do you feel superior to others in your home?

Do you express warmth to those who love you?

Are you capable of returning love to someone else?

Are you forgiving?

Are you insulting?

Do you feed others' egos?

Do you want to be told how accomplished you are?

Do you live for compliments?

Do you perform well under stress?

Do you constantly feel that others get more attention than you?

Do you thrive on attention?

Are you bitter because of unpleasant disappointments?

Do you avoid facing facts, truth?

Are you congenial?

Do you impose unhappiness on others?

Are you selfish?

Do you have a nasty mouth?

Do you encourage hate?

Are you blind to correction?

Do you hate correction?

Are you critical and offensive?

Do you bargain for what you want?

Are you callous?

Are you calculating?

Are you a monopolizer?

Are you a manipulator?

Are you antagonistic?

Are you sadistic?

Are you cold?

Are you patronizing?

Are you compromising?

These questions have positive answers. They are also questions that have Soul-searching, personality-searching, nature-searching value to each of them. It would be wise for you to answer these questions honestly because each fault that you correct is Grace-giving and will be judged by God accordingly. Remember this.”

NOVEMBER 16, 1981

“AGGRESSIVENESS”

“So many times, to feel secure, one acts aggressively. This aggressiveness is not always security to someone else, because sometimes the age and/or inexperience of the person shows and lacks the wisdom of the conversation, or the aggressiveness just identifies the subject but does not render a substantial input.

Aggressiveness of some people is many times a weakening factor to important solutions. Aggressiveness can be full of a lack of respect for all the people involved, the subject matter, and the intended goals. It is many times annoying to be approached by someone who is aggressive, because it oftentimes causes delay and could be costly in money, time and energy.

There is a difference between aggressiveness and an intelligent involvement or approach. Many times aggressiveness is nothing but a pushy, dominating act of superiority, and it solves nothing, impresses no one, leaves no one with a good feeling, and

detours the subject matter to a later date or into complete oblivion.

If you are of an aggressive nature, see it for what it is, and be sure that you are aware of the aggressiveness that you could be a victim of, or victimize others with.”

NOVEMBER 16, 1981

“DEFINITELY MORE TO IT”

“Prayer and devotions are not the only ways to Sainthood. Everything we do, we think, we touch, our intentions, our motives, contribute to the overall picture that we will be judged upon.

When a particular subject describing a fault is brought up and defined in instructive ways, be sure that you do not dismiss this word totally. It could be the one distinctive word that suits, encompasses one or several of your faults or weaknesses, which in reality keep you from reaching that ‘pure state’ that is so necessary for Sainthood.

Also, ask yourself this very important question: Do you allow someone else’s personality, selfishness, dominance, moods, to weaken your stands that you know are right? Very often this is the weak link in any Spiritual progress you might have. Do not say, ‘Because so and so is this way or that way, I have acted this way or that way.’ What allowed you to let this other person dominate you? I am sure

you will have many excuses for this weakness, but ask yourself how you will face God justifying this weakness. Is it because you are too lazy to take the responsibility of standing up for what you know is right?

Be sure that when you stand up for what is right, it is not bitterness, self-love or self-deception.”

NOVEMBER 16, 1981

**“I MUST REMEMBER
MY SOUL IS A REFLECTION
OF ALL THAT I AM”**

“Vanity is nothing more than a constant emphasis on one’s self, in wanting everyone to see them as extremely attractive or even beautiful, also perfect in many ways. This weakness, titled ‘Vanity’, is in reality showing only a self-centeredness, lacking humility, finding a worthless satisfaction in being the center of attention at all times.

Vanity is a false way of living, and there is no real satisfaction in vanity because vanity depends upon the compliments and attention from other people that a wise person sees as totally unfulfilling, unproductive, and most times insincere.

Vanity can never replace wisdom or give happiness because it is based on one’s own imagination, one’s own pride, and one’s own inability to face life in an honest, sincere, day-to-day living.

Vanity is weakness, and breeds weakness. Vanity is like a reflection in the mirror. Results of vanity are fleeting, flighty and few. Vanity is also the basis for that terrible stigma, jealousy.

Jealousy is displayed in many ways: little sarcastic remarks, unkind hints, angry outbursts, unfair gossip, insincere compliments.

Vanity and jealousy can be grievous sins because each of these things are unlimited in their directions, and they can be detrimental to the character of another person, to the reputation of another person, or to the nature and personality of another person.

Never look at vanity and jealousy as just two words that are spoken of lightly once in awhile. These two serious ways to think and to act can be destructive and are never constructive.

If there are any signs of either of these worthless, distasteful characteristics in your nature or personality, it would be wise to replace them with good example, sincerity, and

concentrate on virtues, eliminating self-love.”

NOVEMBER 16, 1981

**“BEWARE OF AN OBSTINATE,
HEADSTRONG, OR PERVERSE WILL”**

“Cruelty, meanness, selfishness, many times becomes so much a part of one’s life that there is no way for gentleness, charity or sincere love to enter the pattern, the mode, the code of living of an individual.

What makes someone like this? Is it a lack of understanding God’s Part in human life? Is it a fear of the physical life? Or is it such a deeply ingrained feeling for power over other human beings that only unkindness can be felt in the company of this person?

If you find this to be your nature, personality, way of thinking, performance in life, it is not too late to change. Remember *your will is your Line of Decision*, and *your will* is the means through which and by which the course of your life can move, can change, can grow, can turn. This is the *line* that should never be forgotten, should never be misplaced, or should never be underestimated or blamed

on someone else, because this is the *line* that confirms to you, that you, and only you, are in control of your decisions and you are accountable to God for your actions, your decisions, the results that you allow to happen or are a part of.

Oftentimes people like to control other lives, or to feel they have the answers for other lives. This is a weakness, not a strength. This is a selfishness in charity. This is acting against God's Will, for it is His Will, through each man's will, that individual's decisions are made.

Beware of how you live each day. Be aware of the charity you express, the kindness you generate, the love you show, the sincerity you are example of, always in God's Name."

NOVEMBER 16, 1981

“IT’S NOT TOO LATE TO CHANGE”

“How sensitive am I, or am I insensitive?”

This is a very good question to ask one’s self. Many times people feel they are so highly sensitive, and in reality they are not sensitive *except* to what pleases them or they feel hampered by, or irks them if they do not get their way. This in total essence is an *insensitivity* and should be curbed as soon as one discovers it about himself or herself.

Sometimes youngsters carry this throughout their life. It is based on selfishness, inconsiderateness, indifference, and emotional instability. Also, insensitivity bespeaks a very unhappy human being.

Many questions that can help a person decide what category they are in regarding their position of sensitivity or insensitivity:

- 1. Am I considerate of others?**

2. **Am I discreet in any criticism I give?**
3. **Am I modest or immodest?**
4. **Am I mannerly; am I polite?**
5. **Am I gracious or abrupt?**
6. **Am I indignant, or self-righteous?**
7. **Do I return telephone calls when it is expected of me?**
8. **Do I ignore what I do not want to hear?**
9. **Do I make petty retorts?**
10. **Do I gossip?**
11. **Am I unfriendly?**
12. **Am I abusive to others through my words, my actions, or my facial expressions?**
13. **Do I sneer when I disagree?**
14. **Do I act out sarcastically, or do I speak with a sarcasm?**

15. **Do I constantly make excuses, *any excuses*, to cover up my own lack of interest when a good idea isn't mine?**

This list could go on and on. If *insensitivity* is evident, it is time to change.”

NOVEMBER 16, 1981

“The Greatest Love Story ever told was the story of God’s Love for the whole world in His Creation of man and woman. He included so many things, never leaving anything incomplete. He gave man a body, a mind, a will and a Soul. He instilled a nature, personality, and the desire of a goal. He gave man Faith to steer the course of life in the world for the Goal of his Soul.”

NOVEMBER 18, 1981

“GUILT”

“Many times one’s own guilt puts a strain on a relationship. Guilt of an individual can destroy the peace and tranquillity of a home, working conditions, or anywhere there are two or more people.

The feeling of guilt that an individual projects is obviously a self-defense mechanism, and is many times obvious because of the righteous manner, the dominance, or the uncalled for submissiveness that is portrayed in an atmosphere of instability.

***Self-guilt* can be the basis for personality changes in an individual showing unjust anger, fitful retaliation of one kind or another, or even promote a period of lies and/or abusive language between two or more people.**

Feelings of guilt sometimes do not last too long, and the very action that caused the guilt repeats itself. Guilt is not always the cause for good change to come about, but sometimes

it is fleeting, until the next emotional situation.

What causes guilt, or a guilty feeling? Guilt is the knowledge that something has been performed that is wrong. Guilt is sometimes misunderstood by the guilty party because the wrong was falsely justified, and consequently the guilty person can grow in the habit of casting all defensive aspersions on other people, defending constantly the innocence that is only in the mind.

A guilty feeling is necessary for a wrongdoing, but it adds to its grievousness when it damages other people's lives. *False* guilt feelings can destroy lives because they many times encourage people into the *bondage of scruples*.

Scruples can be a very devastating thing to live with because they cause a narrow-mindedness, a constant irritation due to the lack of understanding in many situations."

DECEMBER 2, 1981

“SPIRITUAL LOVE”

“Spiritual Love is based on God’s Love, directed for and to the total good of someone’s mind, body and Soul, always respecting the will, yet never compromising the moral values and moral standards necessary for the *good* of the Soul, and always aware of the *Goal* of the Soul that God intended.

Spiritual Love is an ever teaching Love through constant words, deeds and actions that show, tell and instruct on the necessity of a continuous vigil of one’s behavior that will reflect in the Soul.

Man’s Soul is not a myth or legend; It is a Living Part of man that gives man’s life Special Purpose over all other living things. It is Special because It is a *Portion of God*, from and through which man generates dignity, integrity, sound moral values and sound moral standards, and a conscious understanding of the True Existence of God.”

DECEMBER 2, 1981

“HUMAN LOVE”

“Human love is based on human association, through birth, physical attraction or similar likes and/or dislikes. Also, human love can be based on possessiveness, similar interests, or emotional instability.

Love based on totally human values and standards can be an unfulfilling love that lacks respect or a real code of ethics.

Real love for someone is not the way it is depicted in today’s degrading *lust* market of immorality, emphasizing sensuality, a lax code of moral ethics, plus the unnatural relationship in homosexuality or lesbianism.

Human love is complete when it is *combined* with Spiritual Love.”

DECEMBER 2, 1981

“REPUTATION”

“How long is it since you’ve heard the word ‘reputation’? So few people are concerned any more with their reputation. There is no period in History that says the reputation of an individual is unimportant. The reputation of an individual bespeaks many things about their way of life, their values and their standards, their moral integrity, their dignity, how they handle their profession, what kind of a parent they are, how they have been graded scholastically, their sense of humor, their aggressiveness, their boldness, their personality, their habits, their loyalty, their economic standing, their laxness, their manners, the way they dress, what type of entertainment they enjoy, and so on, and so on.

A person’s reputation is based on many things, and a person’s religious beliefs are intertwined with everything else they are or they do when their reputation is up for discussion.

It is time that people begin to look at what their reputation will be recorded as by biased people, by unbiased people, by liberal thinking people, or conservative people. Tonight would be a good time to ask one's self how you would describe your reputation."

DECEMBER 8, 1981

**“ARE YOU ‘PART’ OF THE JUNGLE?
OR
ARE YOU A ‘VICTIM’ OF THE JUNGLE?”**

“Satan’s way is always a jungle of confusion, disorder, moral, mental, physical and Spiritual danger, and has a conglomeration of pitfalls. Have you ever thought of yourself living in his jungle?”

We all understand jungle life to be a constant hazard to one’s life because of the vermin, the quicksand, the poisonous wildlife, the uncivilized code of life that is established by one thing living off of another. We now live in such a society, but we rarely admit to ourselves or others what a jungle it is.

The Ten Commandments were given to man to give order to life according to God’s Will. *Obedience to the Ten Commandments eliminates* any chance of man living in a jungle of immorality. God’s Intentions for the Ten Commandments were to give man the freedom of his will in following the *correct path* God intended for

man's Soul. He is a Just God, so in His delivering to Moses the Ten Commandments, He gave man more than rules, more than a path or a way. He Spelled Out what He expected man to use as the Guidelines for life to become a Saint.

The jungle that man lives in now is perhaps similar to times in the past, but we cannot look at the past, we must concentrate on how we, in the present time, can conquer the jungle that satan has been permitted to build in our society, our generation of life.

Today many offenses against God are so obvious in so many ways, and yet people go day in and day out, ignoring or pretending to ignore, participating in or condoning obscenities, impurities, *even accepting* this time in which we live as normal, knowing it is worse than Sodom and Gomorrah.

Just to name a few of the activities and conditions that help create this jungle, are:

Infidelity that tears down the dignity of marriage, putting marriage in the category of the muck of the jungle, degrading

it through deceptiveness, deliberately mocking its importance to God and scandalizing it with impurities.

The ugliness of *incest* giving credence to an animalistic behavior that biologically and morally is against God's Will.

***Pornography* is an expression of perversion that plays on degradation of human behavior.**

***False worship* is deadly for it eliminates The One True God, and false worship desecrates all that belongs to The One True God. Satan uses false worship against God, and in this terrible tragedy that many people fall into, they are bound to find dissatisfaction, turmoil, unhappiness, based on the insecurity of *falseness and substitutes*, and they will be left only with emptiness and turmoil. False worship comes in many styles. It is depicted in many ways, and is based on humanism and/or satanism.**

***Homosexuality and lesbianism* are direct violations against the**

Laws of God, and this perversion of interest and practice is based on self-love, impurity, and open despise for how God created men and women to be as procreators of life.

A list of additional things that make the time in which we live a jungle are numerous, not in just words that *describe different emotions in life, different predicaments, or different involvements*, but words that express facets of life that involve the mind, the body and the Soul of all mankind. The list would look something like this:

Lust

Lethargy

Barbarism

Immodesty

Hate

Jealousy

Misguided education

Self-pity

Insubordination

No respect for human life

Excuses

Lies

Uncalled for self-defense

Immaturity
Foul language
Faddist
Underground crime
Instability
No respect for authority
Lewd entertainment

How can a jungle such as the one we now live in be turned into a paradise? The jungle did not happen overnight. It was a constant seeding of deceptiveness, egoism and greed, functioning through man's emphasis on humanism, eliminating God's Ten Commandments and a true sound practice of how God intended Christianity to be.

The *lack* of real prayer in our day had a definite part in creating this jungle. It is true we have more evangelists than in any time in History, people who have become well-known for their so-called teaching the Word of God, but these people are not what will change the jungle into a paradise. So many of them have eliminated the individual's dependence upon God and have the individual depend on them, their opinion, their direction,

and of course, their enthusiasm that is expressive but lacks sound doctrine.

The Ten Commandments were given to Moses in an extensive way, and for three thousand years have existed down to our time, obviously not in the completeness Moses received Them, but They are still worded in a way that covers all facets of life.

Only God could have passed through time these Ten Commandments in the manner we now have Them. Man is always trying to update, modernize, or emphasize a different meaning in everything he touches. There is no mistaking what God means by these Ten Commandments, so there can be no excuses for misbehavior or disobedience where They are concerned.

Man's will is a tremendous Gift from God, and logic says that *this will*, though it *has the freedom to make decisions*, to guide our lives in many ways, to follow God's Ten Commandments, to actively participate in Spiritual growth, to grow closer to God for the Purpose God intended life to be, *the will was not meant to respond accepting offenses against God.*

Why do people think that there are only two decisions for the will to make, right or wrong? The will is the instrument to make a decision that will benefit the Soul, benefit the human life of man in times that an individual must stand up to moral obligations, moral decisions, moral example, using sound moral values and standards as the criteria for such decisions. The will must make decisions of benefit, of concern, not always of right or wrong.

It is beautiful when one sees one's will as a *Gift of Love* from God, and recognizes this Gift as an important useful means and privilege to grow mentally, physically and spiritually closer to God in this life and one day become a Saint for All Eternity."

DECEMBER 8, 1981

“WHY WAIT”

“What is a resolution? Some people would say it is something to be broken the first time you decide that the resolution binds you to something that does not give you the freedom to act wrong.

People frivolously amuse themselves about resolutions for the New Year and these same people frivolously break these resolutions. Why bother if you know you are going to succumb to weak moments? A resolution is to be made for the good of one’s mind, body and Soul.

People play so many games with themselves. New Year’s resolutions are in the humorous category. Then we have, later on in the year, the period of Lent when people make decisions to use will power to refrain from doing certain things, hoping that these acts of penance will be seen by God as reparation for sins committed against Him. How many times have you broken these promises?

It is sad to feel and to know and to hear that people do not have strength of their own convictions, that they do not have the ability to persevere when it is good for them, for their Soul, for their mind or their body. These tolerated excuses for not being able to have self-control or self-discipline can truly be looked upon as the basis and weak foundation for all other sins and offenses against God.

One must start some place in life having self-control and self-discipline. We do not have to wait for New Year's Eve to think about this. Today would be a good time to start thinking about where we are lax in our *obedience* to God's Ten Commandments, where we are lax in being *true* Christians, where we are *vulnerable* to impure example from others, and where we are pure or impure example to others.

If we base all our life on dedicating our every moment of life to do God's Will we could find real happiness, because in doing God's Will we are unlimited in so many beautiful pleasures. Also, in this type of pleasure there is never remorse, there are no compromising conditions, there is no

weakness to be concerned about, and there is no fear of wrong example.

It is easy to please God, and it does not mean we have to be on our knees all the time. It just means to live a life with Him in mind, His Will as our Guide, because He intended our life to be lived with man, amongst men, utilizing all the sound benefits for the good of our mind, our body and our Soul.

There is no better way to start the day than to say:

‘Good morning, God. I love You. Please be with me all day, and do not allow me in any way to stray. Please let all that I am and all that I will do show to everyone my love for You. Help me to grow so I will never falter or fail in my obedience to Your Rules.’”

JANUARY, 1982

“God created man. Why then is not man always aware of God’s Love that had to be the basis for His Creation of man?

God created man to His Image and Likeness. How then can man not be constantly aware of the importance of how he must act, look and live?

To be born in the Likeness of God was a Gift of Love that we should always see as the Ultimate Gift of Love that must never be scarred, abused or misused.”

JANUARY 5, 1982

**“REASONABLE QUESTIONS
WITH SOUND REASON”**

“What does your *Spiritual growth* mean to you?

Are you fully aware of its importance to your whole life?

Do you make it a practice to grow in the habit of more piety, more dedication in Spiritual acts, activities and actions, with a personal commitment to be a Saint?”

JANUARY 5, 1982

“ALL YOU HAVE TO DO IS DO IT”

“Few times in one’s life does one feel the tranquillity and peace of a Holy state of being. These times are sometimes when we are in prayer, or we are listening to an excellent sermon, or we feel happiness in the piety that seems to radiate from within our whole being.

A continual state of desiring Holiness is possible, but it involves total submission of one’s will to total dedication and commitment to the Will of God, and it rarely gives one satisfaction as we know satisfaction to be; but, Its very existence makes us strive to work more, to work harder to accomplish the beautiful results that True Holiness promises: *Sainthood with God for All Eternity.*

Sainthood is available and is not outside of the reach of human beings. How many times have you said to yourself and to others, ‘I believe in God,’ and then turned around and sinned against Him or offended Him in some way?

How many times have you desired piety to the point where you would feel a closeness to God that gave security, peace, tranquillity, hope, and an inward craving to please only Him?

The physical makeup of man has many facets to it, and the senses of men many times become the driving force rather than having sound moral values and sound moral standards as the driving force. The senses can be conquered, corrected and directed by *one's own will* to do it.

Pietty is a way of prayer projecting one's actions, thoughts, deeds and words to God's Direction. Pietty is possible for everyone because pietty is based on a willingness to share with God, to be with God, to serve God, to adore God, and to live according to His Will. This, of course, is pietty to its fullest. The rewards of true pietty are tremendous and are never awarded until one stands before God.

Pietty in its first stages of growing has a happiness to it, a charity in it, and its roots are a deep love for God. It is always sad when such pietty is shattered by one's ego, selfish senses, and immature, illogical acceptance

of worldly pleasure over Spiritual growth.

We all look forward to new beginnings, with a hope for things to be better, for changes to be more beneficial, and for life to be more comfortable. There are many beginnings in a lifetime, and most of the time these beginnings are the results of what we do, what we are involved in, and changes we make in our life.

Today can be the beginning of a dedicated move toward Sainthood, a constant awareness of our obedience to God's Ten Commandments, a responsible alertness to how we act when we are with other people or even alone; also, what responsibilities we fulfill rather than escape from. Everything counts. Don't let anyone mislead you, misinform you, misguide you in the lax terminology that encourages you to not be so rigid in your moral obligations, sound moral values and sound moral standards. Think of such encouragement as being detrimental to your Sainthood.

If a man walked up to you and said, 'For the next "kind" deed you do,

I will give you a billion dollars,' you might immediately say, 'What a fool I would be to pass this up,' and you might find yourself responding overzealously, overreacting to the tremendous offer, not asking enough questions regarding your responsibilities and what it will all involve and entail: Kindness to whom? Kindness to what? Kindness reflecting what force? Kindness can be requested to please another man's ego, to satisfy another man's selfishness, self-motives, self-love. The word 'kind' should be questioned, and you should never be distracted by the inference that the word projects, but at the true, solid standing and meaning in which, with which, by which and for which, the word will reflect sound moral values and sound moral standards. The word 'good' deed would have left less room for concern, because 'good' involves the Ten Commandments."

JANUARY 22, 1982

“DIFFICULT TO PRAY?”

“There are many forms of prayer, so one should not feel that there is only one method of prayer. There is prayer in meditation, prayer in good example, prayer in words through kindness, generosity, understanding, good counsel. There is prayer in actions.

What constitutes these things being attributed to a way of prayer?

First, the intention must be that all of one’s will through actions, deeds and words is based on obedience to *God’s Ten Commandments*.

Second, that *God’s Will* is considered in all things: mental, physical or Spiritual.

Third, the desiring of *one’s own Soul to be saved* is necessary as a reason for one to perform totally for God’s Will to be done.

In these ways, prayer is then a constant companion in daily living.

The next time you feel that you do not pray enough, remember that prayer is easy when *prayer becomes a way of life.*"

JANUARY, 1982

“When you bow your head to the Name ‘Jesus’, it is an open sign and act of Honor to Him. It is an act of Reverence denoting your Faith in The Son of God.

It is also an outward sign of belief and recognition of Who Jesus was and is. It says His Name is not just a symbol of Christianity, but that you recognize Him as the Foundation of Christianity that re-established the basic Truths of Christianity which were God’s Ten Commandments; also, the establishment of a Religion of Faith that is based on God’s Ten Commandments, plus His Teachings, His Example and His Sacrifice in instituting the One True Church.”

JANUARY 22, 1982

**“LENT IS A GOOD TIME
TO BEGIN GOOD HABITS”**

“In the physical life men strive for attention, success, and sometimes power. Many times it is a difficult road to be successful among men, for there are many obstacles, and of course, distractions made by other men.

What men forget is that everyone born to the world has the opportunity to be successful in a way far superior than man’s degree of success or attention. Physical success does not live forever, but Spiritual success is eternal.

Why then do not all men see the tremendous value to Spiritual success that is available to everyone? There is no competition in this structure of success. The obstacles can be conquered through one’s own will, one’s own strength in self-control, self-discipline. Every man and woman has the possibility and opportunity to be successful for All Eternity.

No matter what age you may be now, there have been many times that you have made the correct moral decision, showing a strength of courage where your Soul was at stake, a decision that was right against a decision that was wrong. This Lent would be a good time to make it a habit to concentrate on every moral decision you are presented or you incur along the way. Keep in mind that all your decisions should be based on the Ten Commandments and that these Ten Commandments should be the Guidelines for your code of life.

Next, be sure that you promise God and promise yourself that you will use this special time, Lent, to grow spiritually so that when these numbered days are celebrated in the triumph of Easter, you can feel no regrets and be assured that you have conquered many faults, corrected many bad habits, and have begun to practice more humility in your daily life; plus, you have become so acquainted with God's Ten Commandments that you feel strongly that each day when you examine your offenses against these Ten Commandments, your offenses

have become less and your desire to please God more.

Remember, time devoted to loving God more, serving Him more, growing in a deeper Faith His Way, is never wasted time, it is time that is beneficial to your mind, your body and your Soul. It's a time that there can never be regrets about, or regrets in. It is always a time of success for the good of your Soul."

JANUARY 22, 1982

“CONFESSION”

“Confession is oftentimes thought of as the only means to partake in the Sacrament of Penance. True, it is one of the acts important to and evident in the Sacrament of Penance, but we must look at Confession strictly on its own merit in each of our lives, its benefits to our Soul, and its beneficial aspects on our piety, our living our Faith in God in a more fruitful manner with the Goal of Sainthood as the result of our devotion to Confession, and our strength in purification that comes through perfection in our Confession.

Confessing one’s sins can become so automatic that the true meaning of the sin becomes secondary to the offensiveness of the sin. In practicing the habit of going to Confession to a Priest has benefits beyond human understanding because of the Sacrament of Penance involved, the humility it takes to confess in this manner.

There is also another form of Confession that has tremendous impact

on our Spiritual growth, and this is a consistent and constant form, format and formula to each day: examine one's own actions, thoughts, words and deeds, in reference and in accordance with God's Ten Commandments. If this can become a form of prayer to be practiced at least once a day, better if twice a day, one can find a repetitiveness in offenses that can be corrected when they are recognized in the true sense of their practice.

Going to Confession to a Priest once a week, once every two weeks, once a month, should never be eliminated, but it is really too infrequent because of the nature of human nature and the personality of the individual.

Unless one sees constantly that a habit has been formed that is offensive to God's Will, one tends to dismiss it as natural habit, natural to man's environment and association with other people; but, if one, in examining their conscience daily or twice daily, admits to themselves that unkindnesses, big or small, a lack of respect to another human being, or to God's House in any way, is probably offensive to God, then a continuous, a constant reminder that this offense

must cease, is surely the first step to true piety and to Sainthood.

Infrequent observance of God's Ten Commandments, and infrequent consideration regarding one's own flaws in behavior, can delay one's Sainthood. Perhaps the best words to use regarding what was just said could be summed up like this: Sometimes the greatest lessons in the world have been taught so simply, bearing such sound logic that they cannot be misunderstood, and they should be looked at and looked into for the beauty that is in the true meaning for the good of one's own Soul.

Remember, reviewing one's own actions, thoughts, words and deeds, asking God's forgiveness for any offenses against Him, always remembering that God is The Absolute, and that it is God Who gives The Absolution, should alert everyone to how important it is to keep in this close contact daily with God so He will know our true intentions, and He, in His Love for us, will give us the strength to conquer our offenses."

JANUARY 22, 1982

“OBLIGATION — RESPONSIBILITY”

“What goes through most people’s mind on Sunday morning; that is, people who connect Sunday morning with fulfilling an obligation to *bounce* into a church of their choice and sit through a prescribed ceremony and then immediately leave to take up where they left off?

This type of fulfilling an obligation can be sacrilegious because it is an insult to God when one goes to church because they have learned, and in some cases it has been drilled into them, that they must obey the Third Commandment, *Remember Keep Holy The Sabbath*. Of course, many times these very same people have sinned against every other Commandment, but feel their responsibility to the third one is fulfilled when they *bounce* in and out of church once a week. What nonsense this must look like to God. What an insult it is to His Wisdom.

When someone prepares for company or a social time there is usually some preparation, enthusiasm,

interest, and/or extra care taken to assure a successful or good time. Why then is there so little time taken to prepare for Holy Mass, to stand before God in *His House*, in awe of His Presence, in respect and love to His Presence, and of course, in humility to even be in His House?

The next time you attend Holy Mass, ask yourself if you are prepared to be in the Presence of God in His House.

Have you examined your conscience, your way of life?

Have you promised Him that you will not offend Him as much as you have?

Have you asked His Permission to be in His Presence?

Have you understood what it means to bow to Him when you enter His House?

Do you act humble in His Presence?

Do you understand what it means to stand in His Presence?

Do you understand what it means to recognize that the Consecration at Holy Mass is a time wherein there is a Great Miracle occurring and that this Miracle was promised by The Son of God two thousand years ago and It has never changed in spite of all the corruptness, bigotry, nonsense, chaos, turmoil, hate, envy, and desecrations that have taken place through time?

We can be sure that His Promise holds today in our time. We can be assured He never breaks His Promise. What a Miracle of Life we can partake in and yet how many truly understand the awesome reality of this time?

Why have so many Roman Catholics walked away from attending Holy Mass and involved themselves in other denominational churches? Don't these Roman Catholics realize that they are robbing themselves of being present and partaking in the Greatest Blessing that man can be a part of in this life?

In the past there were so many men who separated themselves from

Holy Mother Church because of some dissension that they felt they could not cope with or handle, and they used this to form or to take part in a Protestant practice of faith. Sometimes their decisions were provoked by their inability to cope with or understand certain men's actions, ideas or decisions that appeared unreasonable, without rational purpose. Who is to say these men were totally wrong, but *logic* says they should not have walked away, but should have become a part of correcting the obvious dilemma or mistakes no matter what the odds were.

It would be nice to think, to feel, and to know, to be assured that all men in Holy Mother Church were headed for Sainthood. Perhaps one day men will change and see the greatness of what they have, the beauty of what they can participate in, but until that time we, as Roman Catholics, cannot allow anyone or anything to diminish what we know God wants of each of us, and that is to become a Saint.

Today in our Church we have similar situations wherein many Roman Catholics see the irrational, impractical products of laxness in

leadership by so many in authority in Holy Mother Church. As Roman Catholics we must not walk away, but re-establish what we know, what is fundamentally sound in how God Himself wants Holy Mother Church to be.”

JANUARY 23, 1982

“LENT”

“Lent is a *special time* for each of us to concentrate on the Importance of our life, its full Meaning, and its total Purpose. Lent is full of reminders of what Christianity is all about and what Christianity truly means.

Lent is a time for all people to realize, recognize and understand the events in Bible History that we remember were positive acts, activities and actions all pointed to the stability and dignity for which each person is born, and that the privilege of human life is indeed a Supreme Act of God’s Love to man to share the Splendor, Glory and Magnificence of Heaven with God for All Eternity.”

JANUARY 31, 1982

“SELF-DISCIPLINE IS THE KEY”

“Is a life of total silence more beneficial to the saving of one’s Soul? *Not necessarily.*”

It has been a question in many minds, wondering if a *cloistered life* is more pleasing to God, especially when one feels they could not live in such a manner of total silence with obedience to another human being in charge, sometimes even under such strict conditions that when the person in charge developed a superlative attitude, it conditioned everyone in a lesser position to respond in fear.

It is true the cloistered way was and is a good way for some people to arrive at Sainthood, but such a way has to be chosen by the person who is to be in this submissive state of life, and not by others who want it for someone else.

We are products of and victims of a world of noises. Some people may call it ‘modernization’, ‘progress’. On the terms of an up-to-date thinker,

these words suit the nervous world we live in.

In reality, the distraction of noises forfeits our attention on God because noises interfere with moments of solemnity, tranquillity and piety. Noise is definitely a deterrent to concentration that aids a human being in devotion to God.

It is necessary for everyone to understand that most noises we live with and in are man-made noises, and it is not a case of needing these noises, but a case of our succumbing to a habit of living with noise. What can be done?

The next time you feel inclined to spend some time with God, turn off as many noises as you can, and you will find in the quiet more awareness of what you are saying in the True Presence of God.”

JANUARY, 1982

**“WHAT IS A RELIGION?”
“WHAT IS A CHURCH?”**

“Fourteen and one-half years ago, Heaven revealed the sad state of condition that Holy Mother Church was in. The Roman Catholics refused to accept it, let alone to see it.

Today Holy Mother Church is in a state of Spiritual lethargy and is governed by men who, for the most part, do not really know spirituality in its true essence. The Hierarchy is so busy controlling the world they feel is theirs, that they are satisfied to let the vile conditions exist because they do not want to have to change their mode of thinking or of living.

When are Roman Catholics going to wake up, rebel, and force God back into the Spiritual benefits of Holy Mother Church?

Too much local power has been given to local Church authorities who did not and do not have *Spiritual* leadership qualities as qualifications.

God, please help Holy Mother Church. It has lost face in the world because of man.”

FEBRUARY 2, 1982

“BE EXPLICIT”

“It is always good to *emphasize Christian* pertaining to a way of life, but it is also good to *emphasize Roman Catholic* to clarify the point of association, because this *emphasizes* the foundation that you understand as the format of your Christian beliefs and practices, and that you are not just adopting a man-made practice that is not based on doctrine.”

“There is too little emphasis on striving for Holiness through piety in daily living. This is one of the main causes for so much chaos throughout the world.

There is so much emphasis on worldly involvement, justifying the natural feelings, ideas and desires of man, that the reality of the Purpose of life is not worked at on a daily achievement.

1. How would you describe Christianity?

2. What was God's Reason for it?

3. How is it practiced today?"

FEBRUARY 2, 1982

**“SOLUTION — SOMEONE TO BLAME?
NO — SOMETHING TO BE DONE”**

“In this time of *Crises* in Holy Mother Church, who should be to blame for it, the priests or the laity?

NEITHER ARE BLAMELESS

What can turn these *Crises* into a *Re-establishment of Soundness*?

First, for all priests to take a good long look at their vocation and understand just what it means to them; also, where it fits in with God’s Plan for the good of mankind physically and spiritually.

Also, for members of Holy Mother Church to take a good long look at how they practice their Faith and to what degree, and do they take advantage of all that is available to them, or are they indifferent, lax or bored? If so, why?

Did these *Crises* begin because of a lack of Christian charity amongst the clergy? This is partially to blame. Also, did unjust dominance, favoritism,

or selfishness amongst the clergy eat at their self-respect, causing an unrest, destroying the true spirituality of their vocation, almost forcing a so-called 'updating' trend to abolish what was distasteful to so many?

Did not the momentum of change created by the 'update regime' in the Church, throw the laity into a turmoil of concern, and even worse than this, was it not also the dictatorship of the clergy to the laity, using bully tactics at any question by the laity, nicely presented or not, on why or what determined the changes? The laity, in shock, were slow to condemn the updating and this allowed these *Crises*.

What is at the bottom of these *Crises*?

The power play of Church authority and/or Communistic ideology infiltrating God's Church with its subversiveness and sneaky control tactics.

ROMAN CATHOLICS, *Clergy and Laity*: It's not too late to re-establish what we all know is *God's Will* for mankind, and *God's Will* for *The One*

***True Church* established and instituted by Him. Holy Mother Church, like God's Ten Commandments, can never be destroyed, just damaged in parts. Holy Mother Church is the Foundation of Christian religions and it must once again re-establish Its Foundation for the sake of all men's Souls.**

***Unity* in a true Christian way is the first step to arming the army for the battle of good against evil. This battlefield of sound Christian beliefs must be cleared of all unkindnesses, injustices and immoralities, to forge on ahead with the strength of God's Ten Commandments in every warrior's heart and on their lips.**

No song better describes a Christian warrior's feelings or goals than the beautiful song of Father Lord's, *FOR CHRIST THE KING.*"

FEBRUARY 2, 1982

**“THE ARMOR OF A
CHRISTIAN SOLDIER”**

**“Obedience to God’s Ten
Commandments.**

**Physical and Spiritual
participation in Holy Mother Church
in the true and full example of
Christianity.**

**Charity, respect and honor to
our fellowman.”**

**“How long would it take man to
flatten all the mountains throughout
the world?**

**How long would it take man to
siphon out or soak up all the water in
just one ocean?**

**God never asks man to do the
impossible, but He asks man to be
morally sound in his everyday living
practices and habits.”**

FEBRUARY 2, 1982

“YOUR PRIVILEGE”

“A time for prayer is necessary in each person’s life. The right conditions, atmosphere and special attention at the time of prayer makes the prayer time more personal and gratifying, especially when one kneels in front of a statue, pictures, or a Crucifix.

Having a Prie-Dieu in the home is a constant reminder of the importance of kneeling in prayer, and also that more time with God is beneficial to the mind, body and Soul.

A small altar promotes more desire to pray, and emphasizes the importance of piety, solemnity, and Oneness with God at this time.

A practice of dropping to one’s knees often while at home would certainly help one to find more peace, tranquillity and Spiritual growth.

Kneeling at a small altar will make hardships or needs lighter because of the pure love one feels in

honoring God and going to Him as a child.

Also, thanksgiving prayers have a special feeling and meaning to the one who takes the time to say them.

A Prie-Dieu and altar in the home can never replace visits to The Blessed Sacrament, but it has advantages with its very presence.”

FEBRUARY 12, 1982

“A PRAYER TO MY SOUL”

“Dear Soul that God has given to me, to live with me, and to abide within me from the moment of my conception until the moment that God decides to take me.

There are so many times I forget about You in my selfish moods and/or in my human weaknesses, and I ask You now to help me remember the responsibility I have for You, to return You to God one day forever.

I cannot see You, I cannot feel You, but God’s Love for me helps me to know that You exist within me. I have no doubt, because many times when I feel I want to be close to God, I want to change my weaknesses into strengths, it seems innate in me to know I have a Soul that will help me.

***I pray on this night
that You will never despair
because of my actions in
human life, and I ask You
tonight to never feel that
Sainthood for You is hopeless,
for I promise You tonight I
will strive to correct my ways,
my errors, and return You
to God as He Wills it to be, a
Saint Who will bear my name
for All Eternity.”***

JULY 14, 1982

“In praying, I remember saying to God: ‘It is so sad, God, that all people cannot see Your Generosity. There is so much sadness to see people who can believe in You one moment and not believe in You the next, and that there are people who claim to want to do so much and who do so little.’

It was not at that moment that I heard more of an explanation, but it was about, I think 3:30 in the morning when the explanation came that all through time, all men at one time did not respond to God’s Love, God’s Miracles. And He took me back to the time of Moses when people did not all believe what Moses said. And even though there were many physical exciting Miracles taking place in front of their eyes, their own skepticism, their own lack of humility, their own opinionated ways, did not allow them to see the value of what was happening before them, to give them the strength to follow what Moses said.

In this dialogue that went on, He also showed me the time when Our Lord walked with a lot of men and He showed me some of the men walking away frivolously, carelessly, and He said, ‘They, too, followed a Light as long as they could, but when the Light became too much of a responsibility, they said, “I’ll be back when I can handle the rest.”’ I said, ‘Why would they walk away from the Light of such a Marvelous Gift from God?’

He described men in many ways, described men not just in weakness, but in nature, in personality. He described men following a heritage, an environment.

He described men following the words they heard as a little youngster, almost to the infant stage. He said: ‘It left a mark. Those with whom this child walked were the greatest impression on the whole being that lasted until the death of the child.’

I said, ‘Could You not stop what was happening, God?’ He said, ‘Yes, but do not forget, I gave men wills to live with and to live by.’ He said: ‘A child listens; the child does not respond always to what is said. A child hears,

but the child does not repeat what it hears. Oftentimes a child will act out at a much later state of life what impressed them, what remained, what stayed.'

'That is why', He said, 'it is so important for This Great Miracle upon the earth, bearing the Name of what men call the "Foster Father" of My Son.' He said: 'The Light of the Spirit I sent was the Light that men saw, but in the Teachings, some men felt there was too much for them to handle; but,' He said, 'do I not show My Own Son in the Arms of a Man, being taught, being cared for, being protected? The Light that I show in the Child's Eyes, The Father was Myself, the Light of My Being. I showed this to mankind for many years. Men rationalized and analyzed this Light for they could not handle the Magnitude It was, because they said if this Son was Mine and bore the Light of Me, why then would I allow man to crucify This Part of Me?'

'Men question, because they have heard questioning from little on.

'The Miracle I send to the world now is a Miracle of a Positive Way. It is Truth. It is the Teaching Miracle

of understanding. It is the Distinct Miracle for Hope for all mankind.

‘The Light of Truth I never deny man, but men must understand that to understand Truth they must be obedient to My Commands. The Light of All I Am radiates through The Commands I gave to men. The Light of My Heart extends the Warmth of Me to man, so man will love Me more.

‘Many times in History I have given to the world others who have walked solely for Me. Through them a Light shone of honesty, sincerity, integrity, and purity. Some men listened, some men did not. Some men were jealous, some were envious. Some just felt an opinion and rejected the Beauty of the Light, accepting only their own way, not really seeing that through this one Soul I was showing them the Way to Eternity with Me.

‘Do not be saddened by those who do not understand. Do not be depressed by those who fight what I command, but walk in the Light of My Hope, speak My Words to all men, and tell them I send My Love in many ways, I teach mankind My Love through one of them.

‘Be aware of those who deny you, but be more aware of those who desire to learn more through you, My Way. Be alert to what I speak and teach others to be alert so they, too, will see the beauty of obedience to My Will, so they will be with Me for All Eternity.

‘I send All Kinds of Light through you, My daughter, but I send Light for the good of man so that man will see I truly exist and that My Love is given freely. I expect much from man. I have sent This Great Miracle to the world for I want men to be conscious of their Soul, for That is the Part of man I want returned to Me.’

Be blessed, all who hear My Words, and know, that when I give a Directive for you to grow, it is for you to better be able to handle the Grace that I bestow when your Act of Faith in Me shows. Be blessed by The Spirit of Hope, by My Spirit of Life, for you see, I am a Living God and I am The Holy Trinity. So be it.”

AUGUST 18, 1982

“I MUST REMEMBER”

“My *time* is a Precious Jewel, for it records and constantly reminds me of my actions, my words, my memories, my schedules, my appointments, important *times*, wasted *times*, successful *times*, *times* of fear, patience, justice, honesty, hope, understanding, and friendships.

***Time* alerts me to my responsibilities, my personal needs, my personal involvements in work habits and relationship with other people.**

***Time* is a Precious Gift from God, because through *time*, with *time*, and in *time*, I can use *time* to become a Saint.”**

SEPTEMBER 14, 1982

“SLAVERY

To What? To Whom? Why?”

“**H**ave you ever thought of yourself as being a *slave to another person’s opinion or opinions?* or to someone else’s moral values, or moral standards, or diabolic gestures, intentions, motives, inclinations, performances, theory, analysis, culture?”

What about your accepting and going along with sick humor, social degeneracy, social indignities, just to be ‘hep’ because you are hyped up on being ‘with it’?

Are you a slave to another person’s lack of integrity?

Do you consider yourself a slave in any form, fashion, or condition?

Are you a slave to the weaknesses of others?

Do you *enjoy* slavery because you feel it lessens, shortens, or eliminates you from the full responsibility of sound decision?

Are you a slave to the atmosphere and conditions of morale that others stage for you?"

SEPTEMBER 14, 1982

“ARE YOU A ROBOT?

**For What Reason? How Come?
What Determined It?”**

“To be a robot in the society of today, of yesterday, or even tomorrow, marks a man as having no will, no Soul, no intellect, no sense, no power of decision, no ability or capability to act as an individual.

As we understand the workings of a robot, we see that this machine can only respond to a mechanical device, triggered by *any* type of human being. Sometimes people become robots when they allow themselves to be victimized by the pressures of corporation heads, bullies at home, work, school, or social involvement.

Man was not meant to be a robot, but to some men, it is easier to accept because it lacks responsibility, and it lacks human pressures that are ordinary in everyday living.

Ask yourself: are you a robot, or a man?”

SEPTEMBER 14, 1982

“THE TENDENCIES OF A BUM”

“A crude word, with crude yet definite definitions.

It denotes a worthlessness, a physically depressed human being, a parasite, tendencies to be a leech on society, a loafer, a tramp, a good-for-nothing, a drain on the *dignity* of all the things God meant men to be expressions of.

Most people would not consider themselves a ‘bum’ unless they lived or frequented areas wherein only such type people exist. The meanings of this word do not express just place, but all the personal behavior that a ‘bum’ uses to escape reality and responsibility.

Sometimes rather than use this word, people speak in a more flattering way, but it means the same thing. They say a person is constantly loafing around, always looking for a handout, not willing to stand on his own two feet, always vulnerable to what other people think, do and say.

Ask yourself, ‘Am I a bum?’”

SEPTEMBER 14, 1982

“DEGENERATE

What Encourages It?

Why Is It Allowed? What Permits It?”

“In all periods of History there have been degenerates in every degree, from every walk of life, and in every culture.

Degeneracy bespeaks a decline in physical, mental or moral qualities. When men of all ages, all colors, all creeds, openly accept immorality as a course of life, as a practical manner of living, as a mode of life in the time they live, characterized by the acceptance of the immoral masses, then these men are definitely degenerates and need help.

Ask yourself, ‘Am I a degenerate?’ Most men would not want to be termed in this category, but reality says, ‘What are your moral values and moral standards?’

A mirror only reflects what can be visibly seen, thus sheltering the real man. Never forget that human life goes beyond the reflection of a

mirror, and that your *behavior* in every facet of daily living, personal, impersonal, Spiritual or physical, socially, intellectually or intimately, projects to all associated with you, in any form of your behavior, the real person you are, and whether or not you are a degenerate or a morally beautiful human being.

Remember: purity of mind, body, spirit and example show Sainthood as your Goal.”

SEPTEMBER 14, 1982

“HOOF AND MOUTH DISEASE”

“A cattleman whose livelihood depends upon livestock is totally aware of particular diseases that could wipe out his whole livelihood in a very short time. One of these is called ‘hoof and mouth disease’. It is an acute, contagious disease, caused by a virus and characterized by fever and blisters in the mouth and around the hoofs. This is not just an ordinary, temporary problem, but if not caught in time can be deadly to the animals and the livelihood of one or all the men involved, BUT it can be transmitted to man, which is another real concern of this dreaded disease.

Many people have what we would call ‘hoof and mouth disease’. The definition of its origination or its activation or activity would perhaps not be termed as a virus, but it could most certainly be an acute, contagious disease causing more damage than we could describe in a few words.

For instance: Many men sin much with their mouths, all forms of

sin, never really caring what offense it is against God, but if we were to look at its results, we would be far more afraid of it than if we had ‘hoof and mouth disease’.

Many, many times our feet are very important parts of our immorality, for it is the direction and the places they go that puts our behavior in the category of the dreaded ‘hoof and mouth disease’.

I would not take these thinkings that have been spoken of lightly, for there is but one reason to bring these thinkings to your attention, and that is for you to be constantly aware that all your senses, all your actions with them, all your intentions for them, all the results of what you do with them, will determine whether or not you become a Saint.

A fool would reject Sainthood. A fool would not see the value to Truth and only a fool would jest at such Valuable Information.

Questions are easy to answer because sometimes people answer questions without thought, without consideration, without reason, without full understanding of what the

question truly is. But, when God gives so much attention to give men logic to think about, to form their pattern of life, to instill in each man the benefits of purity, then the questions He asks should be responded to with dignity, respected and loved for the time He takes to encourage men to walk a path directed totally to Him, ever conscious of the Portion of man that is 'God', and that is 'the Soul' that He wants returned to Him as a Saint."

SEPTEMBER 22, 1982

**“NOT ALWAYS A NICE WORD TO HEAR,
BUT A NECESSARY WORD TO USE,
W H A T?”**

**“What encourages a person’s
Faith in God?**

What they hear?

What they read?

What they see in other people?

What they feel?

What they imagine?

**What they have been
encouraged to look for?**

**Their own acts of love, charity,
and example to other people?**

**Sermons based on theory,
analyzation, opinion,
interpretation of the Bible
by themselves or what they
have heard?**

What does it take to feel the desire to kneel before The Blessed Sacrament?

What encourages devotion to God through practicing Acts of Faith?

What motivates a life of celibacy, dedicating one's life to the service of God through man?

What *determines* one fulfilling his or her obligations and responsibilities?

What alters a person's sound desire to serve God above all people and things, to accepting the so-called modern normal avenues of living?

What is your criteria in balancing your moral views, intentions, decisions, obligations, responsibilities and goals for your Soul?"

SEPTEMBER 22, 1982

“The Feminine Gender Says MUCH”

**MODESTY HUMILITY DIGNITY
CHARITY GENTLENESS REFINEMENT**

“The *privileges* of womanhood are limitless. Any *excuses to deviate* from being all the things God has created woman to partake in, be responsible for, and constantly express by example, are *weak excuses* to logic, fact and reality.

***All of society* is being victimized by the onslaught of immoral fads, the new rage of open demonstration in a frenzy over immoral practices, such as vulgar crude participation in morally sick entertainment; also, *disguising* home parties that are prepared to sell products but emphasize vile entertainment, creating a Sodom and Gomorrah atmosphere and involvement. How can women allow themselves to be a part of such a degrading situation?**

Some women are exhilarated by the suggestiveness and lewd intentions. Others feel intimidated and ashamed

but *too weak* to leave the evil, corrupt, immoral involvement. Some women think it's sophisticated, and justify its foulness as retaliation to men because of the past socially acceptable masculine promiscuity. *Nothing justifies* any case of immorality, any cause blamed for it, or for any reason to permit it.

Whatever happened to the dignity, refinement and beauty of womanhood in modesty?

Whatever happened to the practice of humility as a strength in situations that called for a decision of purity?

Whatever happened to the desire to express refinement or genteelness at school, work, home or social functions?

Whatever happened to charity; that is, the real meaning of charity, such as *sincerity* in friendships, discussions that *did not* include lewd or vile intentions or motives, actions that demonstrated only sound values and sound standards, loyalty to confidences, and only good example?"

SEPTEMBER 22, 1982

“God’s way is always constructive and totally balanced, giving security, promoting faith in good, and encouraging purity of mind, body and Soul. Where God is evident there is always sound direction, logic in human dignity, and charity in the flexibility of His permitting so many things for men to be a part of, partake in, be expression of; and last and most important of all is the Goal He has promised man for living the physical life in the manner He Decrees; that is, Sainthood as His Fulfillment of His Promise.

Totally opposite to God’s Beauty, Generosity, Charity, Love, Mercy, Hope and Justice, is the demonic order of things: constant destruction, immorality, debasing man’s true existence by encouragement to permissiveness, vile contemptuous actions, thoughts, intentions and goals, imbalance in all things, distortions of facts, impurities in all stages of matter, manner and practice, persistent dealing with evil, vulgar,

crude, disorderly mental and physical promiscuous dealings, diminishing men and women of all ages to the level of a demon.

Tearing down society through immoralities can become a contagious, infectious disease, because in its vile manner of spreading, it reeks of chance, gamble, risqué encouragement to try something. All these things in actuality put men, women and children in bondage to a distorted idea of how God intended man to live. Such destruction does not happen overnight. It begins in small ways, each thing fitting a puzzlelike system or a mazelike pattern that does not have a clear true view to it, else it would not attract so many people. This puzzle or maze grows in difficulty to the victim attracted by it, for in every turn, in every corner, there is a suggestion to stop and get caught up into a deeper force of impurity, a different source for impurity to the Soul.

If you are walking into a maze of puzzling friendships, places, involvements, work areas, school areas, STOP, get out before it is too late.

There is no maze or puzzle to God's Directions, Logic or Intentions for man. It is so simple: obedience to the Ten Commandments, Holy Mother Church, strive for purity of mind, body and Soul, become a Saint. There are no corners, no unsaid direction, no guesswork and no bondage.

In establishing and instituting Holy Mother Church, there was a sincere and an insincere order of evidence of God's Direction. For a Church to last two thousand years in spite of all the problems that men have created in It, the many attempts of satan to attack It in forceful manners and ways, never eliminated Holy Mother Church because It is indestructible. We are living in a time, perhaps similar to many in the past, of an extreme attempt to destroy this Church that was the beginning of Christianity, that remained stable under all ridicule and corruptness in the Hierarchy.

Satan is now attempting to tear down Holy Mother Church through the foundation, using confusion, excuse, impurities, and digressing from the

Importance of the Ten Commandments, diminishing The Mother of God, and casting aside and into darkness the Living Portion of Holy Mother Church, The Blessed Sacrament. What are we Catholics going to do about this tragedy that cannot win, but it can lose more Souls from enjoying Sainthood?

Do we pray enough for God's Will to be done?

Do we understand our Faith in God, its benefits, its responsibilities, and of course, its privileges?

Do we, in our own way, attempt to be example of good, honesty, purity and justice, in spite of what our peers might think, might say, might do?

Do we debate just to be heard, or do we speak truth in a charitable manner and then be example of it in sincerity and dignity?

What does it mean to be a warrior to Christianity: a lot of words? just good intentions? or is it shown by respect to what is right, what is good, what is honest?

We have many things we must answer to God for. Would it not be wise to, now, not just look at our conscience, but reflect on our responsibilities in regard to our stand for Christianity as God meant Christianity to be?

People are now shouting, ‘Christianity’, and they are forcing this word opposite what? Do they really know what True Christianity is, or is Christianity being used to cover up the real corruptness, the vileness that is occurring in the *Name of Christianity*, or because of what they feel Christianity is?

Two men in a foxhole, fighting for their country, are not really concerned about whether one of them is a Christian or not, they are fighting for a cause, a purpose, or because they were forced into it because of duty. One man might pray silently. One man might pray openly. One man might want to pray, or one man might be afraid to pray. One man might be ashamed to pray. One man might use foul language in beseeching God’s help. Which one of these men would you say was a Christian? Which ones are not?”

OCTOBER 18, 1982

“CERTAINLY WORTH WORKING ON”

“What is your main topic of conversation: at home? at work? socially? to young people? to people of a different age group than yourself?”

Is your conversation consistent and in keeping with the events of the day, or do you concentrate on other people’s faults, other people’s habits, other people’s mistakes?

Do you monopolize the conversation with your own opinions, your own theories, your own misgivings?

Have you ever checked on your own vocabulary?

Do you use words that are foul to express what you want spoken or understood, because you lack the ability to speak intelligently or refined?

Do you use words that are bitter because of your mood?

Do you use other people as sounding boards with constant nagging

or harassing, using words of complaint about everything?

Do you use words to show off what you feel will impress others with your background, or what lineage 'you were told' you were from?

Do you brag, putting 'I' in all your conversation?

What is your salute to other people: 'Hello,' 'Hi,' 'How're you,' 'How's things,' and then end it with the common phrase so loosely used, 'Have a nice day'? When you say this, do you mean it, or is it merely said in a manner of habit?

Do you criticize others' backgrounds such as nationality, or the type of work you feel they are not qualified for?

Do you constantly insinuate that certain heritage traits are ugly?

Do you joke about nationality?

Are you crude in your body language?

Do you allow your face to constantly show your unhappiness or your disgust?

Do you speak with indifference rather than with logic, charity and respect?

Do you attract people who are weak in their ability to converse intelligently? Is this attraction to you because of your own inability to converse properly?

How would you judge yourself on a scale designed by God regarding your personal habits, your speech habits, plus your habits in association with other people?

Do you consider yourself clever and an authority when you make it a habit to allude your digs at the nationality of another human being, feeling superior in heritage yourself?

If you were in a foreign country and became violently ill, your life depending upon a blood transfusion, and the only one available was a person of a different race, a different color, would you refuse the blood?

If you survived this crucial time, would you feel less a human being because you had the blood of another race within you, or would you be

thankful to God for another chance to live?

Sometimes ignorance plays a very important part in some men's lives. Rather than be constructive in their thinking, their association with other people, rather than directing their speech in a helpful, intelligent, genteel manner, what comes out of their mouth is in the modern term 'gross', bears little humor, and only calls for a lack of respect toward them for their inability to be charitable.

The world God created, every human being that God created, all have Purpose and all have Reason. Ask yourself: have you limited your association with other people in such a way that your conversation is never motivated to a higher degree of intention, but is based on common words that express only disrespect, a lack of charity, is never amusing, and bears no justice in its meaning?

As members of The Society Of Saint John Vianney, each man must understand that God created men of all races and all colors, and God has allowed each culture a place in His World, thus God respects each culture

for how He created it. As members of The Society Of Saint John Vianney, it is your responsibility and your privilege to not just talk, but to be example of what this Society truly stands for, each man to stand in dignity, respect, and have for his Goal, Sainthood, no matter what heritage God chose for each of you.

Example from the men of The Society Of Saint John Vianney is of the utmost importance, and you must always remember your example is in your approach to everything, your action in everything, your appearance in everything, your charity in everything, the respect you show in everything, and the justice you reflect in everything and in every place you are.

It is said that Christ came to the world through Hebrew heritage. It is also said that He spoke to all people when He walked upon the earth. Logic says that all were not Jews, that His Words fell upon the ears of other races of people. He did not say to certain individuals, 'I have come just for the Hebrew race, I have come just to save certain people, I have come favoring certain ones, I have come because I love

and The Father loves only a particular color of mankind.' No, He brought Christianity to the whole world. He emphasized charity amongst all men, and in His very existence showed much charity to the Romans who crucified Him.

In our time today, we have developed mass confusion on morality. In so many ways we have forgotten the meaning of True Christianity. Immorality in many ways is the opposite of Christianity because it defies all that is good, and it usurps the dignity of what God meant Christianity to be. Needless to say, in two thousand years *all races and colors of men, women and children* have invoked through prayer, their needs, hopes, ambitions, desires, dreams and goals, to God and to His Son *Who came to the world as a Hebrew.*

Some of our Great Saints were from lineage other than Hebrew. Knowing this, common sense and logic tells us that God, in His Charity and His Love for man, respects, loves, and has the Goal of Sainthood for *all* of mankind.

When sick jokes refer to a particular race of men they are just that, *sick*. Never allow yourself to become a victim of name-calling, belittling, acting or speaking in a demeaning lack of charity toward a nationality that you feel tags this person in an *underling* way in the eyes of other people. Such jesting does not really impress the onlookers or the listeners. In many cases it leaves a bad feeling and many times what could have been a good relationship, bears a *bit of caution*.

P.S. This Lesson is not meant for everybody, somebody, anybody, or nobody. This Lesson is meant for *you*."

NOVEMBER 17, 1982

“Are you a victim of service organizations, companies, or individuals?”

YES YOU ARE.

To name all the *services* people, and types of organizations and companies involved in and earning their living off of service to other people, would be an endless list. The list of non-service areas would be *very short*.

To name a few service areas:

Priests

Doctors

Lawyers

Banks

Insurance Companies

Politicians

Hotels

Transportation Facilities

Stores

Gas Stations

Teachers Restaurants

God put mankind into the vocations that would give mankind the means to express, reflect and serve each other, binding men together in sharing the very necessities of life, using this association to live and die for the Purpose of life: to become a Saint.

We will be judged by God according to the *service rendered* during our lifetime on earth. Isn't it foolish to not use this opportunity to *serve Him* so well that He will *reward* us with Sainthood for our Soul?

Remember, don't victimize God by serving Him poorly, abusively, or in a neglectful way. When there is sincerity, generosity, and charity reflected in any service, everyone involved feels peace, tranquillity, hope and happiness. Sound strength radiates when these things are present.

Be constantly conscious of your way of service, your intentions in serving, and your example when serving that sets off an alarm of anger, or peace and tranquillity in others."

NOVEMBER 17, 1982

**“TANGIBLE IS THE CLUE
AND THE KEY”**

“Everything we are has in it a likeness to something of God’s: our will, our Soul, our intellect, our sharing in the procreation of man, and the innate sensitivity to the necessity of security for the safekeeping of what is best for our mind, our body and our Soul. Human beings are the most blessed creation of God’s because of the logical understanding that we are born to the Image and Likeness of Him.

There is such mystery around our beginning that we intelligently know only God would have the Power to create something like us. We are surrounded by wonder and we are given the courage of adventure to scientific knowledge that gives us insight into so many things.

Conquering great courageous events is awesome, but there cannot be a man who lives that does not feel in the core of his being that there will always be a mystery left for man

to reach for and never really find the whole solution to its beginning, its full meaning.

Since the beginning of time, God has slowly allowed man to find new avenues of invention, exploration and adventure, but no man has found immortality in its real meaning. God, in His Love for man, gave to man Rules to live by, defining in many ways the paths that could lead man in the wrong direction, and in These same Rules there were Commands for man to follow so that man would see God in a Light of Greatness, Ultimacy, and of course, Divine Light.

At the time of Our Lord's entrance into the world, men were much then like they are now, different in race, different in color, and of course, different in what they believed in.

The beginning of Christianity was a visible sign, a time of verbal communication direct from The Divine. Men listened, and they, with their will, their intellect, their own needs and desires, their own degree of beliefs, were given the opportunity to hear a Man speak, thus determining

the feasibility of what this Man was trying to say, creating a new avenue of thinking, of Reason and Purpose for why they were born.

This Man, totally understanding mankind, gave Himself for the benefit of men's Souls, leaving for man a Memorable Life, Words that would go down in History, climaxed by the Ultimate Sacrifice so that men would remember the event, the time, the purpose, the reason for this Great Gift of Love from The Divine.

One very important Portion of this Man's time upon the earth was His Open Words of the Bread and the Wine. This is the Portion of Himself, the tangible Portion of Himself that would be left for all time.

Everything we are, everything we know, combined, is strengthened in every way when we partake in His Ultimate Gift, the tangible Gift of Christianity, Holy Communion with Him. Because of the Greatness of this Gift of Divine Love, It has been attacked, abused, desecrated, and shoved aside by men who have little Faith in how God would work, and by others who are demonic simply

because they cannot control their vile manners, their vile moods and their moral values, so it is easier to follow demonic rules based on self-love, self-consideration, selfishness, self-motives, self-pleasures, and self-indignities. There can be no happiness in this way of life because it is innate in man to be attracted to purity.

Ask yourself: do you really see and do you really feel the Importance of this tangible Gift of Divine Love that has been given to you, to not conquer worlds, to not gain wealth and success, to not be held in esteem by other men, but to feed the innate desire in you for peace, tranquillity, and closeness to God?

Out of sight is out of mind. Out of contact is many times the straightest road to forgetting, so knowing man's weakness in this way, that Ultimate Gift is God's Way of saying to man: 'I am here for you. I am waiting for you. I want you to partake in Me so that all the things you need that will strengthen you morally, mentally, physically, spiritually, I will do.'

The saying, 'Absence makes the heart grow fonder,' is not true. God

was Wise enough to know this, for these are only clichés of man to justify situations at hand. To not receive this tangible Gift of Divine Love as often as possible is a fool's way to live, for in looking at a fool in this way, it denotes a lack of common sense, a lack of reasonable intelligence, and without a doubt, a lack of love for God; plus, it shows a thanklessness to His Generosity for the Ultimate Gift to support all the other Gifts He gave.”

NOVEMBER 30, 1982

“PIETY IS PRACTICED MANY WAYS”

“When man hears the word ‘*piety*’, he associates it with a manner of prayer conforming to strictly a position of kneeling, or a manner of acting that expresses time of devotion in a prescribed way.

***Piety* can be a constant, normal, visible action in everyday living. *Piety* in reality is living a life of honor, dignity, and obedience to God’s Will.**

***Piety* is expressed through obvious declarations of desire to be in the Presence of God at all times, also in expressions of Faith in God through speaking, acting and performing charitable acts of love, mercy, and hope.**

All men can live lives of *piety*. It is not that difficult, because *piety*, in its real sense, true and full expression of how God meant it to be, is in keeping with the normal actions men must perform in daily living.”

NOVEMBER 30, 1982

“TRUE CHARITY HAS NO STRINGS”

“The act of *charity* is many times limited because men feel that *charity* is giving in ways they cannot give or in strictly a manner of monetary measure.

Developing a true and sound virtue of *charity* can become a way of life. A kind word, a tactful word, a smile, a mere ‘Thank you,’ or sometimes just ignoring an unkind gesture or statement can definitely be a great act of *charity*.

***Charity* in its full expression of action is unlimited in its ways to be expressed by every human being. There is no excuse for a man to live his life without performing countless acts of *charity* every day of his life. *Charity* has a way of setting a mood that can give strength and hope.**

In the reality of understanding how easy it is for each of us to reach Sainthood, we can look at *charity* as being an easy way of life, an easy way to live the physical life, and a happier

daily routine for ourselves and for all people associated with us. *Charity* has no price tag on it; it is free for every man to use to the limit of his own desire daily.

Don't concentrate on what you think were great acts of *charity* performed by you, because you might be judging your *charity* on what gave you pleasure rather than what really helped someone else. Be very cautious of the sin of self-love, and be sure that you see *charity* in a form, in a manner, and in a way that is *selfless* in every way."

DECEMBER 1, 1982

“A CLICHÉ WORTH THOUGHT”

“There is a saying that ‘Patience is a virtue.’ What should be added to these few very beautiful words is: ‘but not always practiced by man,’ or ‘forgotten to be practiced when self, and only self is recognized,’ as the bearer of such an important virtue.

One has to have developed a sense of self-control and self-discipline to be able to practice this virtue in its full value.

Patience is not true patience when it lacks soundness. True patience has a calmness in it, not a patronizing falseness.

Practice patience as a virtue and it will help you develop sound charity.”

DECEMBER 27, 1982

**“SOME PEOPLE ARE BORN
‘WHO’ MAKE THINGS HAPPEN”**

“It isn’t always luck. It isn’t always a special Gift. It is an innate desire to accomplish, to succeed, to make every effort to use what he or she is made of, consists of, to bring happiness to others, to cause special events to take place.

Effort is always needed to perform such tasks. Perseverance to carry out and through the necessary work or ideas is the key to the exceptional or meaningful occurrences or happenings.

Just thinking or wishing doesn’t obtain big results. Action, perseverance, and goals of some people make life more enjoyable, easier, more worthwhile and successful for others.

Each man here has the ability and capability to have a life of fulfillment. The necessary ingredients will differ in each man’s makeup, nature, and personality. In some cases, your present vocation of life would not

necessarily be the source to trigger, or to be the format for what you can eventually be the source of to make the world a better place to be in, or to give hope to other people's lives.

So many times men put restrictions on their abilities and capabilities, because they have good intentions but do not motivate themselves to carry out and persevere, conquering the obstacles that occur many times only as little disappointments or jealous interferences that in reality can be easily overcome if one perseveres in the direction of accomplishment.

Don't wait for others to motivate you. Sound motivation to fulfillment comes from within one's own being and is carried out, through and by the individual. You have read many books on men who have led lives of obvious adventure, renowned for their famous actions and activities that obviously did not just happen, but were confronted with obstacles of people's natures, with people's indifferences, with people's negativism, with people's criticism.

This Retreat is to awaken in each one here, the need, the reason,

the understanding, the strength, and the goal for Spiritual growth; but in the reality of life, of living, we must also look at Spiritual Faith as the foundation for activity surrounding and permeating every facet of one's life.

So at this time, if each man will look deeper into what he is all about, perhaps God, hearing your thoughts and your intentions, will give you the strength you will need to conquer not only your weaknesses, but the strength to partake in making things happen that will be important to mankind in many ways.”

DECEMBER 27, 1982

**“THE ‘TIDE’ OF OUR TIMES
CAN BE THE TIDE OF DISASTER
OR PERFECTION”**

“God controls the tides of the oceans and all bodies of water upon the earth. How can a man look at the mastery of balance in the depths of the ocean and not see proof of the True Existence of a Supreme Being? How can a man look at the surface of the ocean and not feel the rapture of indefinable mastery that exists, unconquerable by man in controlling it? No man can shove the ocean aside and decide it should be in another place. No man can walk on the bottom of it like he walks on land. No man can talk to the ocean and have this ocean respond to him. The power in the ocean is the Power of God’s and only His Hand can change the direction, the depth, the movement, the sound, or what will control it.

How can a man look at Holy Mother Church and not see the mastery of balance God meant in It? The Perfection of The Ten Commandments, the means and the methods of the

establishment and institution of Holy Mother Church had such balance, power, and perfection in It, that man would be incapable of such a tremendous, monumental, supreme act, designing Christianity in such sound indefinable fact.

It is time for the *tide* in Holy Mother Church to change. Who really controls the *tide* that exists in Holy Mother Church? The people's faith in the stability of the clergy and Church authority is as though it is on a weak string. Will it hold, or break totally? What will make this string have the strength of steel, the strength of sound moral values and sound moral standards that will please God? What will make this string hold together the armor of protection that God intended It to be?

First, an increase in our personal Faith and Belief in *God's True Existence*.

Second, a scheduling of times for special devotions, offerings, and acts of charity.

Third, more respect for God's Ten Commandments with obvious obedience to their sound meanings.

Fourth, understanding what and how God intended Christianity to help mankind for the Salvation of each man's Soul.

Fifth, standing up to and against the wrong direction being forced upon the faithful and stand up *for* the logic in sound dealings in performing acts of charity in the manner only God decreed.

Christianity is like an endless diagram of avenues all leading to God, each avenue a path of sound reasoning, sound logic, total adherence to God's Ten Commandments, and charity to all in the true sense of its full meaning, through performing good example and acts in all phases of life."

DECEMBER 27, 1982

“HOLY MASS BORING?”

“**P**erhaps, especially when you go with the *wrong intention*, in accepting only this time as *obligation* for your presence.

Holy Mass in its routine leaves you cold? Of course, because you are distracted by your own lack of love for God and little Faith in what Holy Mass is all about. Holy Mass has a message, has a purpose, has a meaning, has a goal. For some people it only comes alive at the presentation of Holy Communion.

Each person attending Holy Mass can truly participate in a living form of communication with God from the very moment they enter the church until they leave. If people will look to The Tabernacle, realizing they are in the True Presence of God Himself, also realizing they are in a House that is His House, the manner designed by Him, teaching to groups and crowds, to bring together His children in union with Him, in union with each other, with prayer and in prayer, to learn

more about Him in His very Open Presence, as He is in The Tabernacle that He Himself chose His Place to be.

The Tabernacle first began in the Womb of Our Heavenly Mother. The story says that John The Baptist recognized Jesus in This Tabernacle, stirring in Its Presence. We, too, must recognize The Tabernacle that we can understand, His Very Presence in our midst, The Tabernacle in Holy Mother Church that holds Him, Who waits for us every day.”

DECEMBER 27, 1982

“POOR YOU?”

“I’m poor.

I’m depressed.

I’m an underdog.

I’m picked on.

I’m unlucky.

I’m a failure.

WHY?

Others have so much more than I do.

I never have what I want.

I was born to be nothing.

WHY?

First of all, because you have no ambition to pull yourself up out of your laziness, lack of motivation, and do something about yourself. There are doors to education to improve yourself; these are available for everyone. There are organizations

that create many opportunities to keep one from becoming depressed. Of course, a reasonable organization for this particular mood of life, or mode of life, would stress occupying one's self to do something worthwhile either physical or mental for the *good of other people*.

The only one that feels sorry for you is you. Remember one thing: *Self-pity is Self-destruction*.

Why die complaining. When you die, be sure that you can say: 'Gosh, I had a full life. I guess I covered a lot of things. I may have a few regrets, but then what the heck, I have fewer regrets than successes.'

Start living today with a new thought in mind saying: 'I've got a lot to do. I wonder if I'll get it all done. Sure wish I had more time today to accomplish more. Let's see now, I'd better schedule my time so I don't miss something and feel bad about it tonight.'

You might not climb a mountain today, but you may do something much more worthwhile. You may give someone else satisfaction in your kindness, your charity, your

sacrifice, or your example, through tact, through consideration, through encouragement, through extending a helping hand in some form of charity, *forgetting your close watch on your own time*, and only concerned about the time the other person needs your time.

Poor you? No way. You are a wealthy man when you share your time doing God's Will for other men."

DECEMBER 27, 1982

**“IS THERE A NEED FOR THE
CHANGING OF ‘YOUR GUARD’
FOR THE SAFETY OF YOUR SOUL?”**

“REMEMBER,

**You are the physical protector
of your Soul.**

**You are the moral direction of
your Soul.**

**You are the total guide to your
Soul’s Goal.**

**You are the instrument of hope
for your Soul.**

**You are responsible for the final
word in the delivery of your
Soul to God or to the evil
force.**

You are the master of your life.

**You are the container of your
Faith in God.**

**You are the sole administrator
of your efforts, your
abilities, your capabilities,
your Spiritual endeavors.**

**You are the one who will stand
before God in Judgment for
your Soul.”**

DECEMBER 27, 1982

“No one True Mystic has ever been told ALL the facts of The Divine. Each True Mystic is chosen for a mission for specific Reasons, specific Revelings, and/or special Tasks; some less than others, some more than others, but no man who ever lived has ever been the custodian of the full Mystery of Heaven except The Son of God, Who in reality was God Himself.”

DECEMBER 28, 1982

**“I FEEL I LOVE GOD,
BUT I DON’T FEEL I AM
WHAT YOU WOULD CALL
A RELIGIOUS PERSON.”**

“Perhaps if you have spoken these words you are unsure of the true definition of love, and perhaps have overestimated the ideal of being religiously inclined or devout.

Love is many things. Love is a sharing of one’s self unselfishly. Love is expressing hope in one’s actions, thoughts, and deeds. Love is understanding, instead of criticism, negativism. Love is sacrifice. Love has purpose to it.

True love is not always recognized because it involves so much a part of one’s life. People use the word ‘love’ loosely. They say they love a particular sport, they love a particular home, they love a particular person, they love to be in a particular place, they love the idea of something, they love certain foods. The word ‘love’ is many times a habit in over-expression, just a familiarity in associations expressing

importance on a specific person, item, situation or thing.

In the last fifteen years, men have become so love conscious that they have omitted what love is all about. They use it in everything. They use it to get what they want. They use it to perpetuate a friendship, an idea, or to possess a person.

In true love, in pure love, there is no lust, there is no gluttony, there is no selfishness, there is no patronizing, there is no compromise. True Love, as God loves man, is a Love of Generosity, Compassion, Sincerity, Dignity, Respect and Honor. True love is flexible, sometimes personal, sometimes impersonal. True love shows, but it is not falsely demonstrative. Pure love has meaning, balance, structure. Pure love has reason.

We live in a time of false love, that in its very existence, demonstrates a lack of true worth, crudeness, vulgarity, insincerity, selfishness, permissiveness, promiscuity, and indifference.

Let us look at love as God intended it to be. Love for Him through the Faith we understand, has reason to

it, purpose for it, sound intention in it; its Goal: to one day live Eternally with Him.

We recognize His Unselfish Love in the Generosity of His Physical Birth, His Physical Sacrifice, His Delivery to the world of Christianity for the Purpose of man's Soul.

Pure love has benefits to it that last, are not fleeting, and offer stability, soundness, and support reality, and are supported by this reality in a depth that everything that is termed 'love' and is not love, cannot give. Pure love is the portrayal of decency, morality, justice and mercy."

DECEMBER 29, 1982

“PESTILENCE”

“When men think of pestilence, they think only of a physical malady that spreads through a group of people that is devastating to human life.

Right now in the world we are suffering from a morbid, immoral pestilence that is more dangerous than any bacteria, virus, or unknown disease could cause.

Immoral pestilence in our time is rampant. It is a total decay of human dignity, human logic, and sound understanding of the Importance of God’s Ten Commandments, plus His Purpose for establishing and instituting Holy Mother Church to be the ultimate expression to all mankind of Christianity.

No man in our time can say, ‘I am not part of the reigning pestilence.’ You are, and in some ways you cause more pestilence by your behavior in every place you go, in your lack of sound moral values and lack of sound moral standards, in your manner of

speech that is degrading and causes others to react in a vulgar manner or in a crude way. Your very example in everything you do and say can motivate more pestilence that is more harmful to the Souls of men, women and children than any physical disease that could come their way.

The first step to conquering this deadly pestilence in our time is to practice self-control, self-discipline, and begin to see God as He Truly Is, The Supreme Being of all that exists and all that will come for All Eternity.”

DECEMBER 29, 1982

“CHARACTER”

“A person who acts like a clown is often referred to as ‘a character’; this, meaning that this person has qualities that demonstrate a manner of freakish antics. Then there are others who are referred to as characters because of their methods of handling their possessions, how they wear their clothes, and the manner in which they express themselves.

There are many definitions for the word ‘character’, not all referring to a critical form of nature or culture. Each man should look to his own character, look at its manner of communication with other people. Is it refined? Is it dignified? Does it reflect good example? Is it honorable? Is it ethical, or does it depict a devious or dubious nature? Does it emphasize self-love? Is it a character full of ego? Is it a character that resists correction, always defending its weaknesses?

A man looks into a mirror and his character does not show. A man faces another man and many portions

of his character not only show, but are revealing the type of person he is. It is important to look at one's own character straight on and not fool one's self into believing only the best of one's self, satisfied with what one is because change would be too difficult to make, too tiring to even think about, and of course, the habit of one's character is so instilled that sometimes one cannot see one's own character in a faulty way.

Look at your character as a way of reaching for Sainthood, for it is the most outward expression of what you think, what you feel, what you are. Sometimes one's character says more about them than an autobiography could ever say."

DECEMBER 29, 1982

**“A DESIGN FOR LIVING
SHOULD ALWAYS HAVE
A SOUND, FIRM, LOGICAL
FOUNDATION”**

“As you design the tightrope you walk in your daily life, what material have you put into this tightrope: cotton thread? a stringy wool? cording? hemp? Will the tightrope last through the day without breakage? Have you evenly coordinated the consistency of its content? Have you chosen a material that will be strong enough to endure your mistakes of anger, your weaknesses, your selfishness, your needs, your compromises, your possessions, your possessiveness, your hopes, your dreams?

Remember that the *tightrope each man walks each day consists of more than material matter*. It consists of one's Faith in God, one's desire to please God, one's obedience to The Ten Commandments, one's ability to reject temptation, one's sound values, one's sound standards, one's habits, one's example to others, one's manner of speech, one's self-care. A multitude

of things could be added to this list making up the tightrope of daily living.

It is good to think about each day as a day that will be successful, have more hope, but most times it is up to the individual to restrain emotions so that weakness will not show or cause disaster. It is good and also necessary for one to be charitable, because in the act of charity one may be able to ward off temptation that would arise if things were different.

A tightrope is not something we think about in our daily living, but it is always there because at the end of the day, we must report to God in how we walked it, how we lived it, how strong we were against the odds, the weakness, the turmoil, the hurts, and we must also add to this, how we served Him in our example and in our Christian Faith as He intended it to be.

A tightrope in itself is difficult to walk. It is always dangerous, but a tightrope that is made of strong fiber, sound character, perseverance in keeping it taut, straight, gives stability to its very existence, but do not forget

there is flexibility in a tightrope, always because the flexibility, properly done, helps the one on the tightrope have more balance crossing it.”

JANUARY 6, 1983

“CIVILIZED? ARE YOU?”

“There are many misunderstandings regarding the true meaning of being civilized. People automatically accept themselves as being ‘civilized’ because they have the ability to read and write, they have laws to live by, and they are able to speak a language that is understandable to others. Even though many of these people act like wild animals in association with other people, demonstrating vulgar habits, immoral activities, crude, vulgar speech, and are unethical, they never consider themselves uncivilized.

It is amazing how people of all races, all colors and all creeds, justify their own comfortable opinions, theories, and analyzations in how they want to appear, to sound, or to be accepted as civilized in their way of doing things, justifying degeneration of human nature, debasing to the very core of their existence, not recognizing or admitting the truth in why man was created in the first place.

There is no better time than now to ask one's self: 'Am I truly civilized? What do I justify in my actions, thoughts, words, deeds, emotions, work habits, social habits, in my hobbies, in my practices, in my Faith in God?'

Sinful vocations or immoral activities have a way with immature or degenerate people, to be accepted and being thought of as a natural part of a civilized form of life.

How can anyone who possesses even the slightest intelligence not see wrong in impure acts or actions?

We live in a time worse than Sodom and Gomorrah, which is not a statement to brag about or be proud of. The uncivilized manner of human degradation was demonic in its very existence, and in our time it is openly paralleled to that time, but *now* even weighs heavier in its vileness against all that God meant for mankind.

Open defiance of God through false evangelism, makeshift prophets profiting on the *need* of mankind for God's Intercession into their lives, is only part of the demeaning, debasing attitude and actions that are profane in their very existence.

Prostitution and all its sordid entities, pornography and all its morbid animalistic agencies, plus, homosexuality, lesbianism, debilitating to the human dignity of procreation, can never be termed normal for a civilized people. Don't ever let anyone justify sin as an acceptable normal act or action of human need or human acceptability.

A morally sick person or persons reek with the stench of evil in their very presence, for it is difficult to hide the immoral deceit of the presence of evil.

There are so many areas of our time that thrive on the odor of satanic presence. The ugly odor of a skunk in comparison to the odor of demonic presence is as different as the fragrance of the sweetest flower to the odor of the meanest, ugliest, foulest odor that chemicals or waste matter can exude. Always remember that demonic deceit in its entirety consists of all forms and kinds of deception, lying, cheating, falsehoods.

Sound moral ethics must be in our daily routine of living. We cannot accept sitting on a fence when we must

stand up to and reject impure thoughts, actions, or activities. We must stand firm in every area for what we know is the moral stand God expects us to take and to achieve.”

JANUARY 7, 1983

“HOW CAN I TURN OFF PEOPLE WHO ARE CRUDE AND OFFENSIVE IN THEIR SPEECH, ACTIONS, AND/OR INTENTIONS?”

“Don’t encourage their abrasive, unrefined, disrespectful, presence or conversation.

Don’t respond to them; be *dull* in your response.

Don’t react with nervous laughter or appear that you accept their demeaning ways.

Use self-control and self-discipline in your example.”

JANUARY 7, 1983

**“RISQUÉ — SUGGESTIVE OF
INDECENCY”**

“I can handle it! What’s life without a little touch of *risqué* in it?”

Well, the word *risqué* may sound deliriously exciting and tempting, but in reality, it means so much more. It means RISK.

You cannot, will not, know or be able to predetermine the impact of this RISK on your mental or physical, plus the results of this *shock* to your Soul.

It is amazing how much RISK people take when they feel the safety of the imaginary blinders they feel will automatically shut out the harmful rays of impure places, people and things that society takes for granted.

Watch out for these blinders because they may become shopworn with so much stretching due to overextending them in times of doubtful decisions.

I know when I’m wrong.

I know I have a Soul.

I know what's good for me.

**I know how to handle
temptation.**

I know how to pray.

I know what's expected of me.

I know I should think pure.

I know _____

I know _____

I know _____

Well, repetitive reminders consistently read, heard, seen, and practiced, is the surest way of *forming* a habit. Be sure it's a GOOD HABIT."

JANUARY 7, 1983

“HEED THE WARNING”

“The fear of being victimized in any way is a natural healthy sign and warning.

Too many times though, people are *unaware* of being the victims of deadly, fiendish, overpowering egos, vanity, and/or other people’s dominance in and over their lives.

Some very definite unsuspecting methods or means to becoming a victim of other people or some thing, is to become interested or curious, and then one thing can lead to another.

Social entanglements that breed permissiveness, promiscuity, lust, impure encouragement to try everything and anything that identifies itself with demonic pleasures.

Games by every name that use all subject matter to encourage people to compete, control, or subject themselves or others to the

**game of chance with stakes
that involve the purity of the
players.**

Movies that seem to hypnotize
the senses and are allowed
to run their course to
encourage impure thoughts
and actions to inquisitive
and vulnerable people.

Too much trust in the glib
tongue of a fast talker.”

JANUARY 7, 1983

“POST TIME”

“At the moment of our conception, we are at the post waiting for our birth so we can run the race of life. Certainly this dramatic Miracle has more Reason than our mere existence in the world for a period of time.

OF COURSE IT HAS. It doesn't take a mental giant to recognize this or to realize that life has Reason, Meaning and Goal.

We arrive at many new *post times* in our life, and each one is for a reason, time, or situation pertinent to our Salvation. We must treat it with all the enthusiasm, interest and challenge it bespeaks.

Today is another *post time* and soon we will be off and running to reach new heights in our Spiritual life. Let's not settle for just any place but be determined to WIN for the sake of our Soul.

This race for Spiritual growth NEVER has a loser. Everyone is a winner because the slightest *hope* for

Grace, the merest *thought* to be better, the *desire* to get closer to God makes each of us a winner.

The signal to leave the post will start with our first *SIGN OF THE CROSS.*"

JANUARY 7, 1983

“LIVING IN A REVERIE — PARADISE?”

“Dreamy thoughts, a fantastic idea, ridiculous fantasy, all make up the meaning of a word, condition, situation or state of mind that appeals to so many people. Sometimes such a state of living becomes so much of a habit that small or large groups of people constantly gather to *just talk*. Nothing is ever really accomplished, but a lot of ideas, fantasies, pass through the group. Such idle chatter may relieve one’s tension momentarily, but it cannot relieve them of their responsibilities.

Activity can be the greatest medicine a man can get.

Activity gives strength to the mind and the body.

Activity motivates more activity.

Activity generates hope.

Activity causes people to be refreshed, relaxed, and encouraged.

Activity that permeates the air with goals, success, animation, interest, balance, vitality, encouragement, can move mountains of depression, despair, fear, and terminal laziness.

Forget the fantasy of dreaming of a life of *reverie* and start being alive with interest, activity, coping with responsibilities, and *stop dodging the logic of living.*"

JANUARY 7, 1983

“REALLY A FUTILE DESIRE”

“Why is it so necessary for some people to look important, feel important, act important? Why is being important sometimes more important than being what you are?”

Every human being is important to God and to other people. It’s just a matter of how one handles daily living, daily responsibilities, daily habits, daily chores, daily personal needs, daily dealings with other people, daily acts of charity, daily Spiritual acts of love.

To so many people, the only way they can recognize that they look important is to be in the forefront, to be treated special, to be constantly sought out, to be the recipient of praise, or to have material wealth that shows success.

Real people, really important people, rarely feel important. It isn’t necessary because they are too busy, too occupied, or too humble to care.

ASK YOURSELF:

How important do I really feel?

What importance do I place on my looking important?

What makes others feel that I want to be important?

A good way to prove your humility is to say, 'I don't know,' when you really don't know the answer or the facts. *Now you are important because of your honesty.*"

JANUARY 7, 1983

“PROMISES, PROMISES, PROMISES”

“An act that binds the spoken or written word to a commitment to do or not do something.

How many times have you honored promises you have made to God?

How many times have you kept or have forgotten to keep promises to others?

In a promise there is more at stake than shows: honor, decency, respect, personal pride, personal integrity, dignity, and definitely how ethical a person truly is. All that for just a promise? YES. WHY NOT?

If a promise is not a binding commitment, then why even bother making it?

***Consequences* of a promise not kept are not always seen nor carried out, but when two or more intelligent people are bound in the contract of a promise, it must in some way reveal**

itself, even when it is with God, Who no one sees.

Our lack of ethical behavior reveals itself in our dealings with other people and how we behave in circumstances that reflect our *true colors*.

Maybe our breaking a promise will not be identified to a particular instance or person, but in showing our *true colors*, instinctively people will form opinions about us.”

JANUARY 7, 1983

“I JUST CAN’T CHANGE MY WAYS”

“Perhaps this statement of how you feel about yourself is solid truth BUT you can always IMPROVE.

A slight improvement each day will eventually pay dividends that no banking institution could afford.

When we improve our values, our standards, our acts of charity, our behavior, our habits, our intentions, our attitudes, our caring, our sharing good things, our dignity, our respect for others and other people’s things, our motives, our Faith in God, the *change will be astronomical* in the results that cannot help but reveal themselves.

Remember, work on improvement, and change will occur.”

JANUARY 7, 1983

“YOU WON’T LISTEN — WILL YOU?”

“The briar patches aren’t always obvious, sticky bushes, but can be *disguised* as convenience, interesting, challenging, adventuresome, gainful, relaxing, hidden pleasure, shutting out personal problems, escape from responsibility, enjoyment.

To tell some people that something is dangerous doesn’t always alert their common sense to think about the prevailing conditions or situations, but their stubborn nature, or their innate quest to be daring, makes them the victim of their own lack of self-discipline, or lack of self-control, or even self-defiance when being told what to do.

Sound reason is many times shoved aside, and weakness, ego, selfishness, ‘the devil I care’ attitude, precedes sound logic.”

JANUARY 7, 1983

**“PLEASE — LET’S BE SENSIBLE
AND REASONABLE”**

“What is the difference between logical change and change for convenience?”

In truth, logic is the science of proof. Convenience is defined as comfort, advantage, accommodation.

Holy Communion in the hand is unreasonable, illogical, and definitely a method of convenience for the clergy in spite of the important issue that Holy Communion on the tongue proves the humility of the receiver and less chance for desecration to this Precious Gift of Love, God Himself.

If a priest has the lame excuse of not liking to look into the mouths of people, why should he be so repulsed by his important part in *feeding God’s little ones* God Himself?

Certainly the physical physician, dedicated to helping mankind, sees many more upsetting episodes beyond the tongue and he is not holding God in his hand.

Serving God is such an ultimate professional way of life. Helping mankind in a physical way is a privilege in an ultimate professional way of life. Both have their 'ups' and 'downs', but priests or doctors are human in every aspect of living.

Professional people in all vocations of life cannot like all aspects of their livelihood, but logic shouts out loud that to serve God humbly, respectfully, and dignified, is the finest example any man can do in this life.

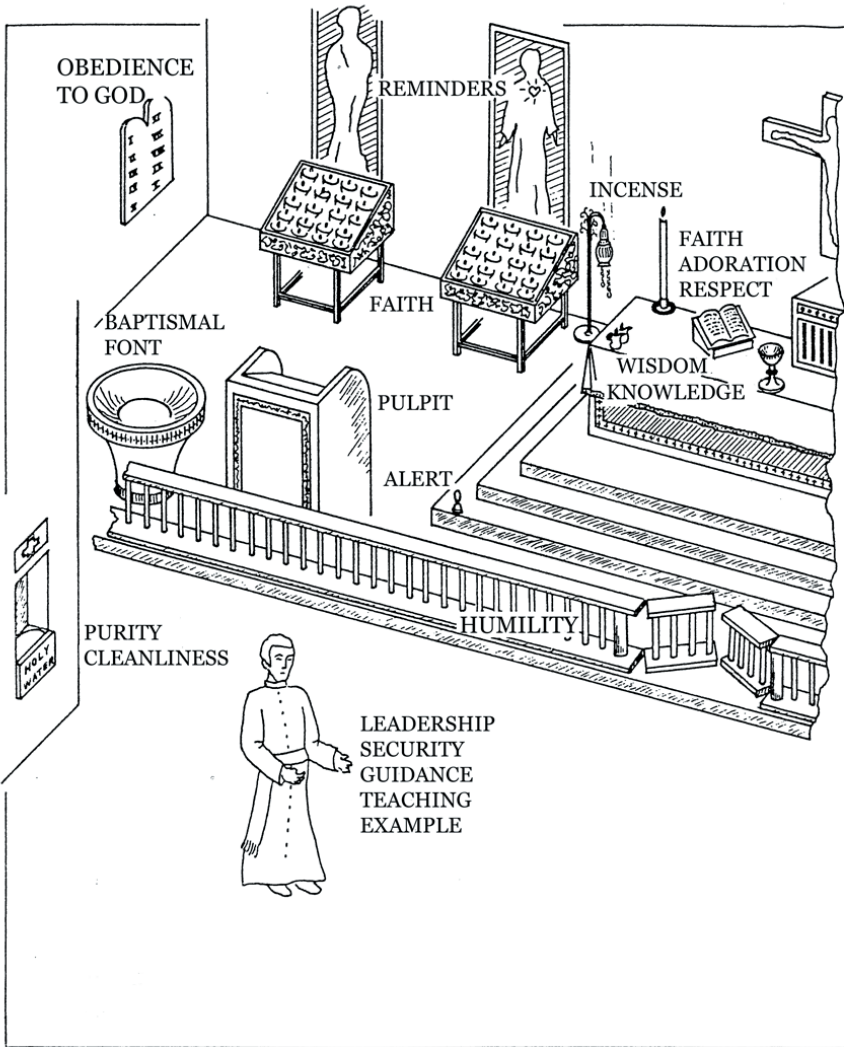
Justifying convenience over logic is immaturity rearing its ugly head over responsibility.

Some, not all, priests are shouting obedience to their selfish overtones of personal convenience and personal martyrdom that they feel justifies their adolescent outbursts of reprimanding the faithful who believe in the Importance of the way God intended priests to stand. God help the weak Roman Catholics who are bending to the 'spoiled prima donnas' with clerical positions.

As Roman Catholics, we must not support illogical, egotistical men

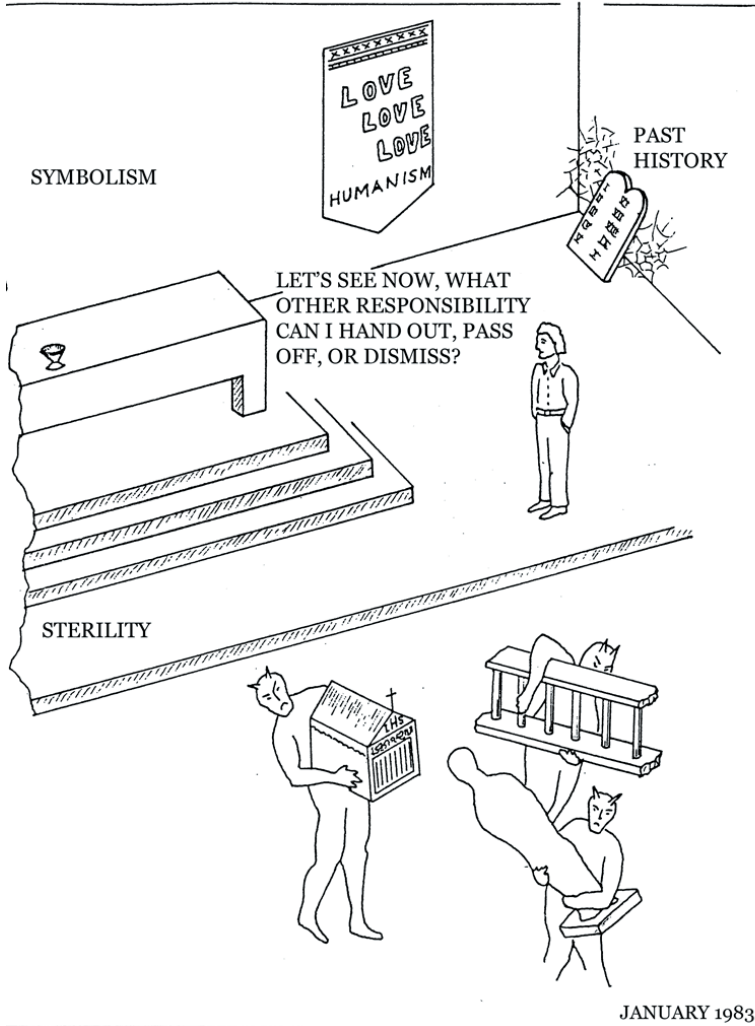
who are praising themselves and their new thinking instead of praising God and serving Him humbly, reaching out to the faithful, supporting their Faith, and encouraging the faithful to follow God's Ten Commandments and reach for Sainthood.

How can *modern man* improve on something that has proven to be strong, unifying and reasonable, unless he makes it more beautiful through pure love, pure example and pure Faith?"



“This is not an attempt at comedy but a well defined capsule look at what is truly happening.

Progress is needed when it is constructive, enlightening, and for the stability of growth in a logical, justified purpose.”



“Change that diminishes, delays, destroys or causes sacrilege and/or desecration is the work of the devil.”

JANUARY 9, 1983

**“UPDATING ROMAN CATHOLICISM?
WHY WAS IT NECESSARY?”**

“Why did men feel this necessity? Was it to generate more leniencies in their own station of life or was it meant to *modify* Roman Catholicism, making it less severe and less strong?”

MODIFICATION many times lessens the necessary detailing, and results in a situation, a product, or an ideal, becoming ordinary in its content and total essence.

When men felt that Holy Mother Church should be *updated*, they ventured into a *modification* of Its foundation, of Its structure, and of Its values to mankind. They diminished in every way the strength Holy Mother Church deserved to remain in light of, in the eyes of all mankind. This deserving, of course, stemmed from, originated from, emanated from the True Existence of Christ upon earth, establishing and instituting this Church in His Name, for His Reasons, and for mankind to see how God wanted man to have Faith His Way. How can

man *modify* such a beginning, such a heritage, and such a Magnificent Gift of Divine Love to mankind?

In the *updating* men bent to the humanistic participation, encouraging personal encounter. This was a big mistake, for so much emphasis on personal encounter programs during the Ceremony of Holy Mass encouraged familiarity. Some people, starved for attention or need to be recognized by other people, fell into the simple trap of emotionalism, personal contact and familiarity, that in its very presence in the House of God, and the time in which it was forced to be introduced into Holy Mass, make it a cause for much consternation among the faithful who attend Holy Mass desiring to be with God and out of the reach of personal human distraction.

If this *updating* is as good as some want to believe it is, then why has it caused an equal amount of apprehension as it has familiarity? Also, if this is what Roman Catholics needed, why has it diminished the attendance at Holy Mass, and why has it turned so many Roman Catholics into looking at Protestant Evangelism as being more beneficial to them?

Modification, updating has taken its toll in many ways in Holy Mother Church and there is *great reason* for consternation among the faithful.

It is true, many things that were occurring in administrative areas in Holy Mother Church must have been displeasing to many clergy. This is understandable and regrettable; but, if these twin operations of *updating and modifying* were so advantageous, why then is there a *break* in the desire for young men, and older men, in wanting to be priests? Many men naturally feel that, why sacrifice so much when eventually there will be more liberal thinking and acceptance in the Priesthood, and if there is any inclination to become a priest, then it would be wise to wait; why give up what you might not have to.

Christ did not get married. He served The Father for the benefit of mankind. In reality, He is the Head of Holy Mother Church and it is His Example of Chastity, Piety, Purity, Fidelity, and Love for mankind, that should be stressed and imitated.

An empty hall appearance has taken place by the stripping in Holy

Mother Church of visual reminders that in their very presence stimulate and motivate the minds of the faithful to pray more, be better morally, and to think of Divine Love rather than putting all the emphasis on so-called human love, plus, the absence of statues, candles and Sacramentals creates an atmosphere that emphasizes only the speaker, the celebrant, and *de-emphasizes* the Presence of God and the promise He made of His True Presence, His Pure Gift, Himself, and the Grace received through the Faith and participation of the faithful.

With the stripping of so much meaning and encouragement that helps men of all kinds to grow in understanding in the stories portrayed by the additional altars, and the mosaics that speak of Bible History, it has diminished the honor and respect of man's participation in devotions, and in humility in the gentle Faith that reminds one to be a child in the Eyes of The Father, looking forward to the reward of Sainthood, allowing us to live with Him for All Eternity.

It is obvious to logical human beings that security in a stronger way of life stems from the dependence

upon our Faith in God, our need for Him, and the importance of our Faith in the quest for Sainthood.

Men can make changes and men can *modify* anything they feel knowledgeable about or are involved in, but how can man feel justified in *modifying* the valuable practices and needs that have proven so necessary for men to better understand the *Existence of God over man?*”

JANUARY 10, 1983

“IRRESPONSIBILITY”

“The accepted mode of life today is *irresponsibility*. In all areas of life it appears. It penetrates home life, work, school, social and Spiritual areas. There is no phase of life that is not touched by *irresponsibility*.”

There are many areas that *good causes* are taken up for and in, to better conditions, living, working and social, but not too many causes are pursued to create or to insist upon people accepting responsible responsibilities because it is the just manner of doing things.

What has triggered so much *irresponsibility*? A few people accepting it? The entertainment media? The theory that experience gives life fullness? The false enjoyment of immorality, using pretense as a guideline for living?

Certainly, more had to be the prerequisite for so many people failing to accept responsibility and falling into the trap of *irresponsibility*.

Was *irresponsibility* manufactured by obscene literature, failure of authority to instruct people on the Law of God's Ten Commandments, or was it triggered and concentrated upon through demons let loose throughout the world? If so, what made God-fearing people so vulnerable to the immorality that should innately be repulsed by intelligent, moral human beings?

There is a saying that practice makes perfect. Practice also drives people deeper into the pits of Hell.

***Irresponsibility* comes in many shapes, forms, and is not just a threat to society, but is a plague that should be dreaded rather than accepted.**

There are many Commandments that *irresponsibility* breaks because *irresponsibility* covers and desecrates every Commandment that God gave us."

JANUARY 10, 1983

“CHARLATAN”

“In all ages of History, in all times of life, the world has had people who could be called ‘charlatans’. This person pretends to have more knowledge or skill than he or she really has. This person, in essence, is a quack, an impostor, a fraud, and thrives on deception.

It is a shame that so many of these types of people practice Spiritual direction for other people. That is why it is so necessary for people, who find that they have a deep desire to know more about God, to grow more in love with Him, and to find the peace of mind, body and Soul that they instinctively connect with a closeness to God, look for a ‘sound source’ of teaching the True Doctrine.

A Spiritual charlatan or a charlatan who feels spiritually inclined can become a master of cultism and find in this key position a mastery of key words to encourage the innocent to be blinded by these words and follow a risky Spiritual road that many times

is based totally on the egoism in the self-love of the charlatan, displaying only a braggart's facade, covering an erroneous, unqualified false pattern, guidance of untruths, based totally upon imagination, opinion, superstition and false theory.

It is especially necessary now in our time to be alert to unqualified charlatans who practice dominance, theatrics, and base their theory on the necessity for people to be obedient to their captured knowledge of spirituality and how they feel God meant it to be practiced. Charlatans come in many costumes, and of course, they are not limited to Spiritual direction men seek a haven in.

In your prayers of request, or as means of devotion or in thanksgiving, be sure that in these prayers you depend upon your communication with God, and not someone who says they have more communication than you.

God loves all His children, is fully aware of each one's capacity to love Him and to serve Him. God is the Dispenser of all life, and of course, the Judge of our every action. We must understand that our goodness will be

seen by Him and we do not have to use the Faith of another human being to communicate with God.

It is important that we never stop communicating with God, and that we, in our own way, find refuge in our Faith in Him.

Charlatans are in our Church also, so remember to be aware of charlatans who might enter your Spiritual Faith when you least suspect it.

Sound Faith, when it is exercised and taught, has evidence of truth in its emphasis on God, not man, in its recognition of man's will over man being dominated by another man, and its consistency and perpetuation of sound values and sound standards, leaving no room referring to God's favoring one man over another.

Charlatans love attention and reveal their falseness in their bragging about the powers they have to heal, making you think that God has endowed them with endless powers over and above human belief.

God is not a foolish God to allow man to run amok with such

power. When God acts, using a human instrument, the instrument is more aware of the responsibility than the results that might occur. The instrument does not walk or work in a haughty advantage glow, but finds that he or she is constantly aware of work that must be done to fulfill the many monumental tasks never fully obvious to those who he or she walks with.”

JANUARY 10, 1983

“Wisdom is always profound in its simplicity. When God speaks to man, it is always in a concise manner, His Clarity, and there can never be any doubt to Its meaning. God’s Words and Direction never show favoritism to one man but are always meant to benefit all of mankind.”

JANUARY 10, 1983

“LENT”

“Important events in our lives are always preceded by certain amounts of preparation. The details of these preparations are in accordance with the type of event, the involvement that is entailed in the event, and of course, the true importance this event plays in our life.

In the last ten years there has been a lessened amount of Spiritual preparation for the coming of Easter which in reality is a day of celebration, a day of endearment, and a day no man should diminish in preparing for.

As long as man exists upon the earth there will be the celebration of Easter Sunday, unless man decides *Our Lord never existed*, and of course, *never ascended* into Heaven, so there is no reason to celebrate.

Needless to say, in diminishing a Spiritual preparation for this important event is the first step to the ridiculous assumption and thinking prestated, even too difficult

to reiterate because of the possible nonsensical desecrating intention.

A good look at Lent is a logical view of one's Purpose of life, to become a Saint. To ignore Lenten sacrifices, devotions, is like saying, 'I don't need it; my Soul is pure.' No man alive does not need to take the time to look at what they are all about, what values they are practicing, and what standards they are accepting for the Salvation of their Soul.

It is easy for people to read something practical and logical and then say, 'I've heard it before; I know what I have to do,' but do they do it? Repetitiveness, reminders are always needed by man to confirm what God has repeatedly spoken since the beginning of time.

Men have a way of indulging in humanistic pleasures rather than Spiritual practices that *seem* so one-sided. In reality, sound thinking would tell man you can never be lonesome when you walk with God. He is Endless in His Manner of keeping you busy. There is only lonesomeness when you depend upon man to keep you occupied, motivated or interested.

As we approach Ash Wednesday and we are reminded that the physical will return to the earth, not just as Christians but as dust of the earth, we should realize that this is the beginning of Life that, through the physical, we prepared ourselves for.

It is not a time for depression. It is not a time to be frightened. It is a time to prepare for celebration, because in this preparation we automatically grow closer to God, more devoted to Him, and receive happiness in a joy and with a joy that we worked for through small offerings, little sacrifices, and a constant awareness that we must sacrifice to earn the Reward of Grace.

After a period of unselfish preparation, the happiness on Easter no man could give you, for there is more happiness in pleasing God than there can ever be in any association with man.

Remember, Lent is a time to prepare for the great celebration. Remember, Lent is a time to earn Grace. Remember, Lent is a Gift of Divine Love for the Purpose God

**intended: to open the Gates of Heaven
for mankind to rise Above.”**

JANUARY 11, 1983

“IT’S MORE THAN A SHIELD”

“Armor has many designs and is made of many different materials, ideals and strengths. The *armor* of a Christian is noticeable by the attitudes, the good works and the good example that the Christian stands for. The *armor* of evil is deceit, facade, false quests that end only in self-love and self-destruction. This *armor* only protects evil. Always think of the *armor* you carry and wear, and what this *armor* does for the *Salvation of your Soul*.

The finest most protective ingredient for a safe armor is obedience to God’s Ten Commandments, living a life dedicated and committed to purity, never compromising with any man the decision of right from wrong. Man’s being upset or angry should never be a cause for your compromising such an important issue. If this man is asking or encouraging you to compromise your principles, your moral code of ethics, no matter what consequence he can inflict upon you, remember this could be the ultimate chance for your

***armor* to show and be the strength needed to save this man's Soul.**

Always keep in mind, your *armor* is never hidden, daily life forces it to show. What does yours look like at the end of each day?"

JANUARY 13, 1983

“SURROGATES”

“We pride ourselves on our ability to think, to make decisions, and to be independent. We many times respond violently when it is suggested we are not responding with a *full deck*. People who depend upon *surrogates* are most certainly not playing with a *full deck*.”

In our society, *surrogates* are prospering financially, and in spite of the supposed independence of so many people in this day and age, these supposedly intelligent people are falling prey and becoming dependent upon *surrogates* for what they think is a healthier acceptance of life; of course, eliminating the moral issue that should be first on the list.

Surrogates justify everything they do, no matter what category their actions or acts or intentions involve. When they are promiscuous with a client, they justify it, for they say it is for the benefit of a client. Their counseling is far from professional, for in reality they are in many ways

alienated from the technical knowledge and are practitioners of substitution.

Some descriptive words of a *surrogate* are proxy, agent, or deputy, volunteering information in direction and pretending to be able to solve the needs of people who are subjecting themselves to dependence upon the *surrogate*, rather than finding the sound reasoning to their own independence.

We have been bombarded by the field of leeches called '*surrogates*'. They not only participate in the *destruction* of a moral stable society, but in their own ways create the *destruction* many times through little effort, using the guise of strengthening another person to live a better life.

The word '*surrogate*' does not always show its true existence, but what use the word demonstrates and conjugates has developed, increased and motivated more permissiveness, more promiscuity, more immorality than could ever be recorded, because it is for the most part, a behind locked doors function.

Never allow yourself to be tricked or subjected to the claims of

a *surrogate*. Beware of any *substitute* that promotes submission of your will to be controlled by the ideas, opinions, interpretations, subjectiveness or intention of anyone who tries to be a counselor or a protector having the ability to give you solutions to your lifestyle of values, your standards, your moral issues.

Do not limit your understanding of *surrogate* in only the role that maternity is involved in. This has preceded much discussion on *surrogate* practices, because it has made *surrogates* look more like servants for the betterment of people's lives than any other portion of this questionable system of dependence."

JANUARY 13, 1983

“STALEMATE”

“Today in Holy Mother Church it is sad to say that some of the clergy have permitted, promoted and encouraged a *stalemate* of vindictiveness between the faithful and themselves. Why, when true, sound Christianity is charity, love thy neighbor, and trust in God?

How can men justify a *stalemate* of vindictiveness against those who disagree with modification and updating that does not encourage a desire to love God more, does not accentuate obedience to God’s Ten Commandments, and does not create an atmosphere for more devotion, more piety, more prayer, more understanding, and more practice of self-control and self-discipline?

We think of a *stalemate* and we think of a game, or we think of a situation that does not affect us. But as Roman Catholics we must wake up to the fact that there is a *stalemate* evident in many ways and evidenced by the unpredictable change of theory, ideals, and ceremony that we are

subjected to because of the different personalities in each diocese. Such a *stalemate* must be broken so that it does not fester and leave an ugly, critical space of time that can only be related to disaster in Holy Mother Church.

When one *sterilizes* one's own Faith, one takes out the living part and allows only bleak emptiness, but when one purifies one's own Faith, life is evident, because purification has a healthy *Light* of life emanating from it."

JANUARY 13, 1983

**“HEAVEN IS A
PROMISE FROM GOD”**

“When we think of Heaven, we automatically think of a *panoramic* view of total paradise. Our intellect, our imagination, our artistic nature, develops a vision of total loveliness, grandeur, almost inconceivable in concept.

Even this *panoramic* feeling, and wishful thinking, is far from the full concept Heaven is. Our looking forward to being a part of such a Magnificent Place, topping this with the Presence of God, how can we allow ourselves the slightest moment or act of impurity?

While we live on earth, we enjoy beautiful things. We are attracted to panoramic views of the mountains, the sea, and of many different places, things, and it is restful to our whole being. Many times we feel we cannot get enough of the view, and sometimes even wish we could stay to enjoy it a longer period of time. Sometimes we wish it never had to go away,

because we found in it the peace and tranquillity that our physical and our mental needed, and its very presence gave us Spiritual strength, comforting and intimate with God, feeling His Presence everywhere.

Again, how can we, in our experience with such a feeling, forget so soon what has been promised to us if we will but obey God's Commandments and seek purity?

The next time you see a panoramic view, restful, peaceful, tranquil, radiating a Higher Being, projecting consolation, hope, restfulness and peace, do not forget that when we enter the Kingdom of Heaven, the time will not be fleeting or temporary, or just a vision, It will be permanent for All Eternity."

JANUARY 17, 1983

**“GOD’S FOUNDATION AND FORMAT
ARE INDESTRUCTIBLE”**

“Moses was not a Christian, he was a Hebrew, and yet Moses was entrusted with the very *foundation* of Christianity, The Ten Commandments.

When Moses received The Ten Commandments from God, Moses’ belief in The Ten Commandments, understanding of The Ten Commandments, and ability to explain The Ten Commandments to mankind was not based on Christian doctrine or dogma, but on sound Faith, sound values and sound standards for life that Moses was not only conscious of, but were innate in Moses so that when God delivered these Ten Commandments to Moses, Moses had the foundation and basic ability to believe soundly without question, the facts, the morals, the values, the reasonings, the need, the purpose, and the resulting rewards that men would gather and obtain in obedience to these Ten Commandments.

A thousand years later, God found the necessity to place upon the earth Parts of Himself to re-establish an explanation of how men should live. He did this through *teaching* mankind moral values, moral standards for living; of course, based on His Ten Commandments. He *taught* men of all races the Purpose of life, and the need for morality of mind, body and Soul to attain the Purpose for which life was intended: to be with God for All Eternity.

Christ taught in such a manner: simple, extensive, and of course, detailed in repetitiveness, instilling in those who heard Him what He wanted them to remember. In this manner of teaching, He established the *format* for Christianity. Of course, this emphasized The Ten Commandments, for The Ten Commandments were the *Christian Rules and Criteria* for life as God intended it to be.

Between the time God gave mankind The Ten Commandments and approximately the year of 300 A.D., the men involved in patterning the structure of Holy Mother Church were men like you. The results of their work were naturally gone over and gone

through by the men who followed, thus giving the men a basis upon which the beginning was established for all time. Those who came in authoritative positions in Holy Mother Church accepted what was already formed and then expounded, researched and evaluated the already *formation*.

Bible History has been handed down for two thousand years. In many ways it would have been impossible for those who wrote Scripture to be able to detail every episode of their time with Christ, every fraction of every meaning that He spoke of, and of course, through time, interpretation of languages has changed the definitions because as we all know, one word spoken in different languages can produce many different suggestions of meaning.

The men in Holy Mother Church *formulated* the doctrine and dogma, and it was accepted by particular men as the restrictions and pattern that would be accepted, never allowing any new change or additional information to enter, unless men who were considered eloquent in their abilities to interpret, would find meanings extraordinary and were already

perceived by someone else in the Scriptures they relied upon through interpretations.

The practices in Holy Mother Church have been set in a pattern of refusing to allow new Revelation that has logic to it, unless someone who is considered theologically wise, would be able to discern it properly and connect it to the already *formulated* doctrine and dogma. In some ways this has been approached with dignity, honor and respect. In other ways, it has been approached with a clerical lack of Faith in how God would work through time. Also, this staunch stand has protected the administration of the Organization from having to delve into new introductions that could, or might project more reason, more foundation, more fact, more intelligent stability to the already form of doctrine and dogmas that in no way could have ended with the last Revelation *men decided* was the last Revelation.

There is no question and there is no doubt that there have been many heretics and many hypocrisies that have wormed their way into the structure of Holy Mother Church, due to the infiltration of demonic traps set

to interfere or destroy the precious strength, beauty and perfection God intended for His beloved Church. Because of this strong fear, men use the doctrine and dogma of Holy Mother Church as a whipping post to Roman Catholics, as a straightjacket for Faith to become biased in.

Time has proven that Revelation has continued through particular people for particular reasons, for the good of each man's Soul. There is no doubt that it takes time for such Phenomena to penetrate even minds who feel they are capable of discerning such Phenomena, but we, as Roman Catholics, must understand that logic, sound reasoning and purpose must always be the criteria of our Faith, and we must not be governed by purely man's determinations.

To some people the words *doctrine and dogma* are so impressive that they lose sight of the importance of their *own Faith* in God, and how much *this Faith* alone can gain Sainthood for them.

Also, do you rely solely upon the *wording* of the Ten Commandments, overlooking the full meaning of each

Commandment and how you must live according to how God intended your actions, thoughts, words and deeds, to use each Commandment for the purification of your Soul?

These Commandments were given not just as frivolous guidelines for men to follow, but for men to see the root of each Commandment, not just what man determines as the surface meaning.

So many people, in learning and memorizing the *Catechism* that introduced to them the *foundation of doctrine and dogma* of Holy Mother Church, should not base their whole Faith on this memorization, but should *practice* in their daily life what this memorization has defined as acceptable to God to further one's Faith in Him, and combine this catechetical knowledge with God's Ten Commandments, plus use one's own intelligence, logic and personal commitment to God, based on sound Faith and sound morals. This combination is the surest foundation to guide one's life and become a Saint.

Ask yourself now: What does your Faith in God consist of? Do you believe in The Ten Commandments? If you do, what makes you believe in these Ten Commandments? You haven't talked to Moses. You did not travel to the mountain and be instilled there personally with the Monumental Force of the Power of God's Light on that mountain. Does not your belief in These Commandments come from Something from within you? Is it not logical that this is your Soul? It cannot be your internal organs. It is doubtful that it can be your mind alone. It has to be more than a prayer you know. It has to be Something within you that you cannot understand, Something that drives you on to think of God at different times. It has to be Something innate in you to have you know right from wrong immediately. There is *rarely a question* as to the right of something or the wrong of something when you have Faith in God and practice this Faith with sound morals.

Our Lord came to the earth and began to teach at a very early age. He taught in the form of stories because He knew that in this way men could more easily understand the point He

was getting across to them. His Stories were *teaching stories* pertaining to their present life, and the life that they were promised, if they would uphold the practices of justice, mercy, love, hope, and charity. He taught them the necessity of communication with The Father. He instilled in them an order in how to practice Christianity. The stories He told they could remember, because the stories pertained to everyday living, practical matters, and their Purpose for life. He gave hope through these stories. He gave example through these stories. He directed these stories to the Salvation of their Soul. He established through His Stories to them the doctrine and dogma that men eventually based Holy Mother Church on.

Today in our time, God is once again reiterating many *Stories From Heaven*. These Stories are once again teaching mankind the Purpose of life and what God expects man to be like in his daily living. The Stories are not about other people and how they became Saints; the Stories are directed to individuals so they can absorb and retain the Direction for them personally, so they can follow what He truly means, emphasizing the

freedom of man's will and the positive thinking that man must have regarding the Salvation of his own Soul.

The Teachings now again are thorough, easy to follow, and of course, profound in Their simplicity. There is no excuse for anyone to use the excuse that the *Stories From Heaven* being given in our time cannot be true. Skepticism is for people who are unable to see the truth of a matter or situation, and many times skepticism drowns out purity because skepticism is full of ego and pride in one's self. Skeptics find it an easy out to disclaim truth.

The Miracle Of Saint Joseph is the transmitter of *Stories From Heaven* delivered once again so that mankind will see the Importance of the Soul, the Reality of the Soul, and the horror and ravage to their Soul that immorality causes.

No man can logically deny purity of thought when it is so obvious. No man can deny purity in direction, when it is based on sound morals, sound values, sound standards. No man can deny that God did not create man without reason. No man can

deny that there is no time in History that God has not given man Stories, Direction and Truth, either through obvious measures using individuals to be the transmitters of Phenomena, or verbal Pure Direction.

In our time of life, we know by all the immoralities that satan is running throughout the world hyperactive in encouraging people to indulge in humanistic values, encouraging them to listen to the Bible-speaking evangelists of all creeds, knowing that if people base their Faith totally on the misinterpretations of parables, they will lose out on listening to what their own Soul is telling them is good for them. Also, in so much concentration on parables, God's Ten Commandments are set aside. Parable is fine to learn, but many times difficult to interpret properly.

The Soul of man is more than man has ever learned It to be. First of all, the goodness that man is aware of comes from more than his intellect. There has to be Something greater than man's intellect inspiring man to automatically be drawn to purity. As we believe that The Holy Spirit of God is constantly in all that is good that

surrounds us, that we partake in, that we seek, then how can we not accept that the Soul of ours is a Portion of this Holy Spirit of God?

Every day we are the custodians of our Soul, a Portion of God, and we are guided mentally or physically to automatically understand right from wrong, good from bad, purity from evil, especially on moral issues, but also in the very acts and actions of our daily association with other people.

God has given us everything to become a Saint, to be with Him for All Eternity. God has given us a *free will* to make decisions with. God has established The Rules to live by. God has established and instituted Christianity. God has given us the Gift of Faith in Him. There is nothing left to ask for. It is up to us to use what we have to return our Soul to Him in purity.”

JANUARY 21, 1983

“SOUND OBSERVATION”

“Christianity began with the Laws of God, this being the *foundation* to be practiced by all mankind, emphasizing the Supremacy of God and that only One True God existed, binding all men to the same Rules and the same Goal of life for Eternal Life with Him.

The idea of a One World Church is unrealistic, because of the maze of religious beliefs that are different in orthodox behavior or are out of the realm of Christian beliefs.

There are so many contradictions in *Spiritual* thinking and practices, all making up a web of conflicting ideas that attract different groups, cultures and types of people.

Christianity is being Christlike in loving God, serving God, and desiring to be with Him for All Eternity. Sound Faith in God is really more than doctrine or dogma. It is our Soul calling out, directing us, pointing to things, places or people, a way, a means or a manner of more

exposure to the True Presence of God in our whole way of life. We find this direction in our total obedience to God's Ten Commandments.

Our Soul is *not just a reflection* of our physical. Our Soul is a Part of God within our whole being that is in constant union with The Spirit of God.”

JANUARY 21, 1983

“THE PATH SO SIMILAR”

“The word ‘priest’ was not a new word that had its first appearance in the time of Our Lord. It was used in many generations before this, dignifying a person’s position, vocation, or status amongst the people.

We connect the word ‘priest’ with Holy Mother Church because Our Lord put a Christian significance, dignity, honor, and special Spiritual teaching of privileges to this position in Christian practice.

The men who walked with Our Lord were men of all commitments in life, all with definite personalities, and each man was used to practicing his own will according to the customs and the culture he was identified with.

Our Lord was fully aware of each man’s abilities, capabilities, interests, strengths and energies. As He first taught to them in simple form, generating this simplicity as they grew, He increased the delivery of His Lessons to a more substantial manner

of dialogue. They learned firsthand that they were involved with more than an ordinary man, and that His Very Existence penetrated their being with the need to perpetuate His Will among other men.

Sometimes, in the most casual manner, Our Lord spoke the most Profound Statements, realizing of course, that the depth of the subject would cause these men to see the sound values and the sound standards of human life in a more purposeful reasoning and Goal to be reached.

In our time, the very simple title *Stories From Heaven* are once again giving to mankind the way to practice sound morals through Faith in the Beauty of how God instructs mankind, so that men of all ages, all colors, all creeds, can see the sound logic in what is expected of them, and how much greater their life can be if they look into the Words taught in such dignity, in respect, honoring man's intelligence, and encouragement to mankind to never forget that each man has a Portion of God within him, that he has his own Angel to guard him, he has his own will to make his decisions with, and he has the knowledge and

intellect to conquer all obstacles that are foreign to the Purification of his Soul.”

JANUARY 22, 1983

**“Faith in God cannot be
dormant.**

**Its very existence
encourages action,
reason, purpose, goal.**

**Faith is hope *in* living and
to live.**

**Faith is *assurance* of the
True Existence of God.”**

JANUARY 24, 1983

“WARNING”

“Awareness is a safety against the multitude of *ploys* that satan is encouraging men to experience, always with the facade of pleasure, success, or physical welfare.

All through time men have used many different *ploys* to take advantage of other men. Many *ploys* are downright degrading and abusive by their belittling the human being to a submissive state of little self-control and self-discipline, bordering on total dependence on man, eliminating man's necessity to depend upon God above all things.

Through the *power of suggestion* men are succumbing to the suggestions that certain types of *mind control* methods will conquer many personal frustrations and stress areas. So far, these methods of entertainment or medical facilities have not proven foolproof, nor are they all ethical or morally sound. Some are proving great money makers for individuals and some people will lean on anything

rather than to use their *own will* to relax, or conquer stress patterns they themselves have formed. True, we all need help several times in a lifetime, but let's be sensible, logical and honest instead of forfeiting our will to the opinions and/or mechanical apparatus of someone other than God.

The following are only four of many methods active in the world today, being used to introduce into people's minds, ideas, situations, interests, motivating different types of means to relax, to become involved in, or encourage the mind to be attracted to something that the other person wants them to do, to have, or to become a part of. They are not solutions, but experimentations.

In our day, volumes could be written on these methods of mind control, all appearing innocent and yet easy for demons to enter, making the person openly vulnerable to being victimized by immoral or unethical thinking.

Hypnotism is one of the oldest forms of submitting one's will to respond to another person's intentions. *Subliminal* messages are

in so many ways satanic. No matter how much the person who uses them denies their motives, this is an open door to an attack on human beings that is deceitful, and of course, with the intention of controlling the mind and the will of the victim.

Men are talking about the tremendous aspects of another method of relaxing the human body in a cubicle called '*environ*'. Some people will try anything, and this too has the facade of being a healthful proposition wherein in this cubicle, one listens to the recordings that are supposed to instill within one's mind the practice to relax, or the atmosphere to imagine what is being spoken, always inferring that after this session, one will come out of it with a more physical and mental new lease on life.

This list could be endless on so much *mind control* methods that men have concentrated on. Needless to say, there is a possibility that in some cases, there could be good involved, BUT whatever happened to leaning upon God for the strength needed to endure daily human pressures, or to relax one's mind and body?

Whatever happened to the success that self-control and self-discipline stimulates, motivates, encourages, and usually produces with great results?

Why does man have to have so much help by turning his or her mind over to someone else?

Along with these few methods of *mind over matter*, guided by someone else other than one's self, the increase in *surrogates* is revolting and could be categorized in this group of mind control methods, substituting the God-given freedom and Gift for one to use their own free will."

***"Hypnotism — Environ —
Subliminal — Surrogates"***

JANUARY 25, 1983

**“ARE YOU A HUMAN DERELICT?
ARE YOU A RELIGIOUS DERELICT?”**

“All derelicts do not live on skid row or in the ghetto. It’s a word that is seldom used in regard to people who are considered middle class or upper class in their living habits.

There are many people who are derelict in several areas of their responsibilities. They fail miserably and are full of self-pity. These people would never consider themselves a derelict on society.

A good examination of one’s responsibilities and how one acts in fulfilling these responsibilities could be the beginning of a new look at life, a step forward in a successful manner, and also bring out the best in you rather than the restlessness that a lack of self-confidence permits.

**Do I make excuses before I
think of solutions?**

**Do I patronize others so
they will recognize me as
important?**

Do I place importance in the wrong places?

Do I falsify my monetary measures and live above my means?

Do I dress like a bum so others will not borrow money from me?

Do I put on the *poor mouth* or am I a *braggadocio*?

As far as my religion is concerned, do I fail in my *responsibilities*?

Am I a fence sitter when I say I believe one way and then never fulfill my *obligations* as a Roman Catholic should?

A look in the mirror never shows what's in a man's mind, his intentions, his imagination, or how he truly handles his responsibilities. Derelicts come in all styles, all ages, all temperaments, all classes, all vocations, all social places.

To be a derelict does not always mean you are destitute in reference to no food, no clothing, no home, or

are abandoned, forsaken or deserted. It might just mean that you are too lazy to do what's right to conquer your failings and weaknesses, and to stand up and be counted for your true value of worth as a responsible human being, accepting the challenges of life along with the obstacles, doing this in dignity and not self-pity or self-destruction, doing this in a way of participation, in good example to everyone, and giving strength morally, physically and spiritually when and where it is needed."

“Giving moral, physical, mental or Spiritual strength to others affords and supports much of such strength to one's self.”

JANUARY 25, 1983

“PRAYER”

“**F**ormal prayer is necessary for it has a consistency of meaning in our communication with God. It stabilizes one’s prayer life, and in *formal prayer* we are better able to control our attention and intention, and form a pattern of definite relationship that consists of words we feel comfortable with regarding our association with God, as children of God.

Prayer has many facets to it. There is *formal prayer*, there is the method of *practicing prayer*, and there is *personal prayer* consisting of our own thoughts, our own wishes, our own desires, our own needs, using this method to personalize our communication with God as a child to a Father, feeling an intimacy of relationship that such *prayer* allows.

Practicing prayer comes with one’s own Faith in God. Practicing a prayerful life is meaningful in so many ways for it expresses our dependence upon God through our actions, acts, words and deeds. It is obvious in

our expression of charity, our good example, our unselfish attitude, our strength in acts of devotion, the love we express to those who are ill, the help we give when it is needed, the hope we extend when all things seem hopeless.

***Prayer* is a very special part of our life, for *prayer* protects us, and in many ways is a total expression of our Faith in God.”**

JANUARY 25, 1983

**“A PERSONAL PRAYER ON
THE CLOSING OF THIS RETREAT”**

“Dear God,

**As we each depart to go our own way,
Help us to remember to pray and to say:**

*God, give me the strength to
grow in Your Grace.*

*God, give me the direction to
reach for perfection.*

*God, help me to remember the
promises I made.*

*God, help me to share all the
direction You gave.*

*God, give me the strength to
guide others Your Way.*

*God, make me the warrior to
purely face the obstacles of
each day.*

*God, help me to kindle Faith
in others, and help me to
teach them Your Will and
Your Way.*

***God, help me to return to
my home and to others,
refreshed in a manner to be
able to say I have learned
to have hope, I am ready to
share it.***

***God, help me to know how
much I should say to guide
others in all that I have
been given.***

***Please, don't let me in any
way, show pride or ego in
what I do and say.***

***Please God, if I stray, stop me
and show me Your Way.”***

JANUARY 27, 1983

“A LEGACY OF GOOD EXAMPLE”

“You do not have to have a public position in the world to leave your *mark* upon the world.

A man who is able to speak, who is able to act, who is able to work, who is able to think, who is able to be a part of a community of people, openly declaring through his silence, his actions, his total example, his sound morals, his belief in how God Wills men to live, and through his good example touches the lives of all with whom he comes in contact. The *mark* is made, the *mark* is instilled, the *mark* in many ways engraved in the minds of all who have come in contact with the man who gave good conduct, sound logic, charity, sound moral values, sound moral standards, who expressed self-control and self-discipline, who spoke as being a man of virtue, even when he never spoke out loud.

THIS MAN CAN BE YOU.

This man is always understood and this man leaves a *mark* of love,

not hate. This man stands for all that is good. Men may not refer to him as a Saint, but then men do not have this right, but men will refer to him through what they have been taught, and through the *mark* of his example passed on to them. This *mark* will be so engraved that it will be deepened by those who follow his way.

Ask yourself today: ‘How much of a *mark* have I already given? How much of a *mark* have I already made?’ Today can be the beginning of the *mark* that will become engraved in the habits, behavior and good example of other men, begun by you and now passed on by other men: a *legacy* of fulfillment that encourages Sainthood.”

JANUARY 27, 1983

“PRACTICE MAKES PERFECT”

“Charity in action.

Devotion in prayer.

**Dedication through
commitment.**

Love in a respectful way.

Charity without strings.

Sound values through example.

Good habits through example.

Dignity in every aspect of life.

**Modesty through freedom from
vanity.**

**Compassion to those in need of
it.**

**Consideration in a respectful
way.**

**Purity of mind and body are
the surest weapons against
immoralities.”**

FEBRUARY 1, 1983

“I WANT TO BE A SAINT”

“These words are spoken and sometimes thought, but few who even think about them realize the magnitude in which these words affect one’s personality or one’s nature, in moral values and moral standards.

To some people, ‘I want to be a Saint,’ would sound silly. To others, it might sound fanatical, or ethereal, or ridiculous. Yet if one were to say, ‘I want to be a doctor, I want to be a lawyer, I want to be a model, I want to be a pianist, I want to be a designer, I want to be an architect, I want to be an accountant, I want to be a scientist, I want to be a student of theology, I want to be a priest,’ no one would think anything of it. Why then is the Purpose for which God meant life such a shocking statement to so many people?

Let us take one step at a time in the *order* that such a Goal can be reached; first in thought, then in intention, then a plan consisting of:

**Daily concentration on our use
of time.**

Avoiding temptations.

Improving on one's conduct.

**Constantly conscious of good
example.**

Awareness of wrong distractions.

**Exercising effort on Spiritual
growth.**

**Looking at the positive approach
to prayer.**

**Using prayer in every practice
of life.**

**Committing one's self to specific
devotions.**

**Examining one's obedience to
God's Ten Commandments.**

**Practicing charity instead of
selfishness.**

**Practicing kind works for the
benefit of others.**

**Protecting what is right, what is
good.**

Serving mankind in helpful ways.

Awareness of the moral values to be stressed in conversation or personal habits.

Protecting the young.

Respect for the elderly.

Shedding selfish motives.

Kneeling in prayer.

Never forgetting to perform acts of thanksgiving.

Never forgetting to say, '*Thank You, God.*'

Aiding the ill.

Sacrificing time to help another.

Performing a full day's work for an employer.

Never gossiping.

Never slanderizing.

These are but a few attitudes, means or manner of beginning to direct one's life in a solid intention to

attain the Goal of Sainthood. Begin the groundwork as if you were going to school to learn a new vocation, and then put this groundwork into practice in everything you do, everything you say, and in all manner of living that you are involved in every day.”

FEBRUARY 1, 1983

**“DON'T BE A ROMAN CATHOLIC
IN NAME ONLY”**

**“GOD'S TEN COMMANDMENTS”
“CIVIL LAW”
“CANON LAW”**

“Man's morals reflect his obedience, his understanding, his beliefs, his values, his standards, his concept of God's Ten Commandments, Civil Laws, and in some instances, Canon Law.

As law-abiding citizens, we are instructed, indoctrinated and held responsible for our behavior regarding the upholding of laws that protect our lives, our properties and our rights as law-abiding citizens. All Civil Laws are really based on God's Ten Commandments.

In a court of law, when there is a subject of difference to be settled, a witness or a defendant is asked to be sworn in to tell the truth. The book used is the *Bible*.

The motto of America is, ‘In God We Trust.’ ‘Trust in God’ is the motto

by which and in which Americans have enjoyed so much leadership and success in the eyes of the world. To diminish this beautiful motto would be asking for America to become a victim of strictly human greed, weakness, and power-hungry mongers, thus changing America from a Democracy guided by the motto, 'In God We Trust' into a purely Communistic power, eliminating God from its very structure.

When God is not recognized, and Faith in God is diminished or replaced by human leadership alone, then men become victimized and find themselves dominated rather than enjoying the freedom of religion, the freedom of Faith in God, and the freedom that equality does suggest and motivates in men to properly use the 'free will' God gave each man.

We depend upon the justice of our Civil Laws based on God's Ten Commandments to protect us, and we are outraged when we feel or find injustice in the system, because it is a threat to our very existence when injustice rears its ugly head. RIGHTLY SO.

As Roman Catholics we have other laws by which we have been subjected for centuries, but these laws written by men governing the Spiritual aspect of Roman Catholicism, are rarely focused upon in an elaborate way, unless scattered situations call upon these laws to be carried out by the so-called ecclesiastical court.

It is time that Canon Law be approached, taught, and be defined to Roman Catholics so that all Roman Catholics are aware of their rights and the justice they deserve in the interpretation of these laws.

We receive in a condensed form the results of decisions that bind our Spiritual Faith to what men feel is updating and more compatible to the time we live. As the body of The Church, we have the right and they have the obligation and responsibility to elaborate upon the reason and purpose for their decisions and what purpose these decisions of change intend to project to *further our Faith in God*, to give more stability to our Faith and morals, and how these changes will make us better Christians. This cannot remain a one-sided dialogue, because as the body of The Church, it

is our continuation of participation that perpetuates the whole purpose for the continuation of The Church.

We are not sheep, and our Faith should not be diminished to the point that because we are Roman Catholics by birth or by choice, we should be restricted in our knowledge of what constitutes sound Roman Catholicism, or in areas, many dark, that are never explained to us; that the only real connection we have with Canon Law is our knowledge that there are such laws for the use of particular men who use these laws according to their own interpretation of when it is feasible to use these laws, or in the scattered unusual circumstances they relate to under these laws. This confusion must cease.

Christ did not establish Holy Mother Church without lengthy, just explanations to those to whom He explained Christianity. Of course, the purpose of these laws is to strengthen Holy Mother Church, and the reason for these laws is to bind together the faithful in an effort to never abuse God's Ten Commandments.

Instead of being the victim of the opinions and interpretations of the men in Holy Mother Church who hold positions that govern the conditions by which Roman Catholics are subjected to obedience of and to, would it not be wise to improve one's vocabulary on such matters of sound Faith and sound morals, so that instead of submission to what one does not understand, one can recognize the full intention and meaning of the spoken or written matter, either condensed or elaborated upon, and then having the foundation of being able to discern more, why and what is being handed to the faithful, the faithful can speak out as the *body of The Church*, requesting identifiable proof and full explanation of why the changes or new rules occurred or seemed necessary to improve on Roman Catholicism?"

AN OBSERVATION:

Civil Law — you are innocent until proven guilty.

Canon Law — you are guilty until proven innocent.

FEBRUARY 2, 1983

**“CHALLENGE FOR THE SAKE OF
FAITH”**

**“CHALLENGE FOR THE SAKE OF
TRUTH”**

**“CHALLENGE FOR THE PURPOSE
OF OUR SOUL”**

“Challenge need not be an angry war of words or debate, but challenge can be handled with dignity, respect in an honorable way so that only the desire for justice is the goal.

Challenging in sport is a challenge for skill. A challenge at war is a challenge of survival for a cause. Expressing challenge in dealing with one’s Faith in God is a challenge that should never be misunderstood. This challenge is one that should be handled with charity, honesty, reliability, and express generosity in its every mood.

Our innate Faith says to us God is Love, God is Merciful, God is Hope, in God we will always receive justice.

To deal with men who have openly ascribed to a vocation that says, ‘I want to teach all men about

God,' it is a vocation that bears with it a security in the feeling that such a man can be depended upon to direct the Goal of our Soul.

In the innocence of Faith there is sometimes an overconfidence in this man, never wanting to discredit him or to challenge his ideas so it will diminish him in the eyes of others, but we have reached a time in History, a time of honorable challenge in defense of our Faith, insisting that those who have ascribed to this vocation return the respect to us, as they feel they should have from us.

No man is a god. There is only One God. No man is immortal. No man is truly infallible.

Through the years we have been led to believe things that we have gone along with even when we did not agree with them, but these things were based on respect for the vocation even when we did not respect the men.

No one is asking that closets be opened to the world to divulge to the whole world the incompetencies, the idiosyncrasies, the misinterpretations, the conflicts, the power that was utilized to overpower individuals

who were in positions of power in the administration area. But, as Roman Catholics, we, as all other men in the world, will have to face God for every thought, word, deed, act or action we perform, right or wrong.

With this responsibility facing us, we must not ignore the Judgment of our acts, of our behavior, and we must have the strength and the courage and the perseverance to stand up and be counted in this world, challenging those who ascribe to being the leaders of our Faith and morals.

Challenge is many times a healthy way to clear the air. Challenge takes sides: for purpose, for reason, to prove a point or to win a cause.

As Roman Catholics, with all this knowledge of the necessity for challenge in our time, we must see challenge in the dignity, respect and honor due our Faith, due our Soul, and due to the very fact that we are dedicated and committed Roman Catholics.”

FEBRUARY 3, 1983

**“OUR BIRTH IS A
‘HOLY’ GIFT FROM GOD”**

“Birth of a child is a *Heavenly Gift of Love*. One thing all men have in common is the fact that no one asked to be born.

Birth immediately puts a child into the world, needing food, needing care, needing teaching, needing love, needing direction, needing good example. The ingredients that make this child able to comprehend, understand, respond and learn, are registered through the brain, the mind and the intellect of this child.

It is always sad when a child appears deficient in what we call a ‘healthy condition’, but whichever God chooses for this child, our responsibility as parents and as adults should be obvious to us that we must use every effort to care for, be responsible for, and *protect* this child against physical harm, mental abuse or Spiritual misdirection.

Each child born to the world *is* a responsibility, and this responsibility then *passes on* to the child at different times of life. It is wrong to not protect a child, but it is also wrong for the child to feel they have all the rights because they are a child and they feel they are free from responsibility.

Intellect tells us that we have certain responsibilities. Our environment says we are committed to certain responsibilities. Instinctively we know right from wrong. This in itself is the basis for our moral actions, thoughts and words.

A human being is a *special* creation of God, obvious because of the intellect, the free will, and the ability to participate in the *procreation* of life.

The color of a man denotes culture, background, and separates the heritage of men, thus making life a lot more interesting.

It would be rather monotonous to have everyone the same color, all with the same face, all with the same structure, all with the same degree of intellect, all with the same talents, all

with the same tastes in living, all with the same behavioral patterns.

God made life interesting for us. God gave us so many different good things to participate in, to be a part of, to strive for, to be successful at, to conquer, to challenge with skill, with ability, with intellect.

God gave us the elements to make life possible for our physical makeup, and of course, interesting. When things remain the same, it allows lethargy, dullness, little motivation, but we must thank God for all the attention He gave to our benefit in every facet of life.

Men shout, 'Peace on earth.' God says, 'I want Saints in Heaven.' Men shout, 'I want to be a part of greatness.' God says, 'I want you to be a Saint in Heaven.' Because men feel that Sainthood is so far in the distance, and recognition on earth seems so important, there is a common expression, 'Let's live today, tomorrow may never come.' ONE MOMENT, PLEASE. *Tomorrow* is what we were born to have. *Tomorrow* is what we were born to work for. *Tomorrow* we could reach the GOAL of life, SAINTHOOD WITH GOD FOREVER.

Some men live day to day, never truly carrying out principles for life, for living. They are drags on society, always complaining, always berating, always debasing, always full of self-pity, always critical, always negative, always a bore to be with because they give nothing positive, they give nothing to motivate, they give nothing of themselves that you want to remember them by. They give no hope to living.

All ages of life have responsibilities as soon as there is understanding of one's own needs, one's own part in family living, one's own responsible actions toward extending happiness in a family, not gloom, not moodiness.

When the lights go off at night and all heads are laid to rest, there should be a feeling of togetherness and there should be a unity in living.

So many times people forget that the one thing that can bring the *unity of living* in the home is *praying together*. This is not for the people who are fanatical or ethereal or overly religious. It is for, first of all, unity in loving God, unity in believing in Him,

unity in giving thanks to Him, unity in having hope in Him, unity in being able to ask Him for things, for He is The Father of all mankind; unity in praying for others to Him, unity in one day wanting to be with Him.

Prayer is a powerful vehicle to happiness in a home. Prayer in itself says more than human love, more than human monetary goals. Prayer says *Faith in God, trust in God*. These two things can give strength at moments that nothing else can give. Prayer softens the obstacles, the hurts, the fears. Prayer motivates more communication with God. Prayer elevates one's mind to better things, higher things. Prayer puts substance into relationships. Prayer mobilizes families, motivates and encourages their striving to reach goals. Prayer requests protection that is needed in times of doubt, troubles, conflicts, emergencies.

No one here asked to be born, but we must all remember that it was a Holy Gift from God, a privilege for each of us, a responsibility of Love, and a Goal that nothing else compares to, Sainthood for our Souls.

What makes the Gift of Life Holy? First, the fact that we have a Soul, a Portion of God as Part of us, that He created as the Part of us that must return to Him in a Pure State of Being one day.

The Gift of Life is Holy because it is the Gift for Life in the act of procreation, according to God's Plan.

Men do not fully understand this Holy Gift from God. In its full essence, it is the manner in which God gives man the opportunity, the privilege, the responsibility to be the participants of furthering life upon the earth which, in its full meaning, should be understood that with each life immediately conceived, a Portion of God enters; this Portion is called 'a Soul', a Living Portion of God into a living portion of man, a Holy Gift for a Holy Reason, for Holiness as a Reward.

Any abuse to this Gift of Life will be answerable to God, as only He deems the Judgment to be. We cannot take liberties with human life, and we cannot reduce the Holy Presence of our Soul to a meaningless Subject or Portion of our being."

FEBRUARY 4, 1983

**“WHEN ‘SOUND LEADERSHIP’ FALTERS
THE MINUTEST DEGREE,
IT IS WEAKENING AND DISAPPOINTING
TO EVERYONE,
EVEN THE COMPETITION.”**

“Holy Mother Church has for centuries been the *rock* of Christianity, always identified with soundness, reliability, fact, truth, stability, princely in religious circles and also to laymen of all denominations. Interior problems, discord or in-house matters were concealed. Logic was not eliminated in the understanding that where human beings are associated in a common cause, all is not perfect, *but* the foundation and format that was so consistent in devotions, the Sacraments, the upholding of beliefs in the existence of Saints, and in the True Purpose of life, that men overlooked the petty problems or suggestive discussions that showed up.

Suddenly this *rock* was teetering on a tightrope of changes that made *everyone* concerned for the *Leadership*

that dealt with such strong convictions and rules.

Abrupt, inconsiderate change very often has a *shock* to it, and can feel like an earthquake to our whole life. This is what happened with all the *far-out* changes that some men in Holy Mother Church forced into the Spiritual life of the faithful Roman Catholics.

These changes strengthened no one. They were cold, abrupt, abusive, and were used against the faithful instead of for the enrichment of Faith in the faithful. These changes catered to the weak or the lonely. These changes were not handed out in a princely manner, but a cold, coarse, rude, disarming way, eliminating the piety in Faith and replacing it with dominance, a lack of charity, and a downright disregard of the intelligence of the faithful.

Such unstable actions, change, or practices, should shock an individual into the reality of what is happening, what they are doing, and how they could lose their Soul by falling into the trap of confusion and deceit. So many Roman Catholics did find the changes

abhorring to logical thinking, logical practices in devotion and respect, honoring God above man, instead of putting man on such a one-to-one basis with God.

The mere fact that some men, playing Russian Roulette with the Souls of other men, *permitted* horrendous, emotional problems in the Faith that initially so many were indoctrinated in, the real questions here are:

Have the changes in Holy Mother Church encouraged the faithful to have more respect for God, more Faith and love for Holy Mother Church, and more consistency in prayer life?

Have these changes altered the weaknesses that were repetitive in the confessionals?

Have these changes motivated more visits to The Blessed Sacrament, more people obeying The Ten Commandments, more people understanding The Seven Sacraments, more

**people wanting to attend
times of Devotion?**

**Have these changes produced
more Veneration to The
Blessed Sacrament, more
respect for the Priesthood,
more dedication to Holy
Mother Church?**

**Have these changes made it
obvious that the Purpose of
life was to become a Saint?**

**Have these changes promised
and proven that each
Roman Catholic is now
more a part of Holy Mother
Church, and that the arms
of Holy Mother Church have
outstretched to gather in
those who were standing
outside Holy Mother
Church?**

**Have men become so involved in
these *changes* that they have played
a form of Russian Roulette, ignoring
the fact that they could end up the
victim?**

**Sound Roman Catholics,
defending the Faith, protecting it in an
honorable, respectful way, not ignoring**

that changes are sometimes necessary, but that there must be a *refined* and purposeful reason for changes, feel the changes should be to direct the faithful to concentrate on Sainthood, and that such changes could never be so tangled up in confusion, disrespect, disloyalty, and a lack of peace and tranquillity in even a visit with the clergy on any subject.

Confusion is the weapon that the enemy of God and of man uses to distract, to distort, to disrupt, to destroy the moral values and moral standards that *sound Faith* in Holy Mother Church definitely *was* and *is* the *rock* for the whole of Christianity.

We are all afraid of earthquakes. We are afraid of tidal waves, we are afraid of volcanic eruptions, because we cannot control the source, and these cannot be timed by us. But we internally know that the fate of our Soul can be directed by us through the stability of our Faith in how we honor God, how we protect this manner of life and this means to become a Saint.

Today it is not too late for us to concentrate on how we can overcome the *shock*, how we can stop others from playing a game of chance with

our lives, with our fate, with our Faith. It is time that we issue our edict to not compromise our Faith. We must stand in protection of the values in how our religious beliefs must once again be seen in the world as the *rock* of Christianity, holding Holy Mother Church in its rightful place, *leading* all Christian denominations of religious belief.”

